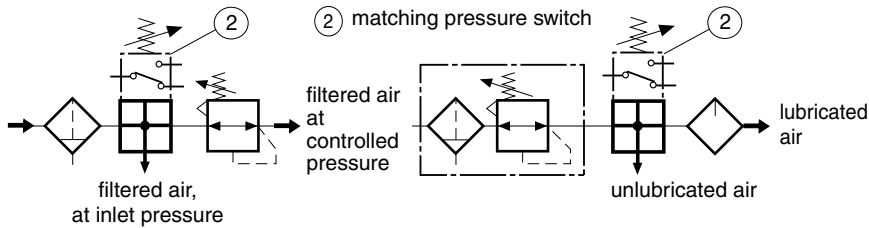


### PRESENTATION

- A by-pass module is placed between adjacent components to draw off high pressure filtered air or unlubricated air depending on where it is located



### By-pass connection

- Modulair 107 range: two G 1/8 ports, front and rear
- Modulair 112 range: three G 3/8 ports, bottom, front and rear.

Close off unused ports

### CHOICE OF EQUIPMENT

description	matching pressure switch	main ports (ØW)	by-pass ports (ØZ)	code (1)	weight (kg)
By-pass module for Modulair 107 range (1)	none	G 1/4	2 x G 1/8	<b>34304005</b>	0,225
	available	G 1/4	2 x G 1/8	<b>34304014</b>	0,225
By-pass module for Modulair 112 range (1)	available	G 1/4	3 x G 3/8	<b>34303004</b>	0,180
		G 3/8	3 x G 3/8	<b>34303005</b>	0,180
		G 1/2	3 x G 3/8	<b>34303006</b>	0,180
		G 3/4 (1)	3 x G 3/8	<b>34303190</b>	0,510
By-pass module for Modulair 112 range <b>non intended for the combinaison</b>	available	G 3/4	3 x G 3/8	<b>34303188</b>	0,510

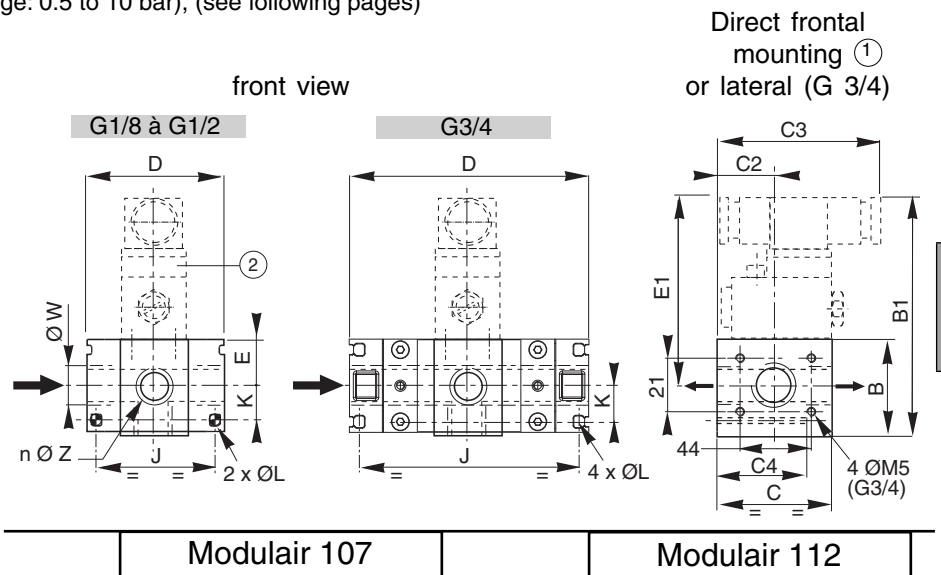
(1) Version intended for the combination of various functions (FRL - isolation valve etc ...), select the desired functions and obtain the necessary assembly kits and mounting brackets (see page 42)

### PRESSURE SWITCH

Pad-mount pressure switch (adjustment range: 0.5 to 10 bar), (see following pages)

### DIMENSIONS

range	Modulair	Modulair	Modulair
	107	112	112
Ø W	G1/4	G1/4 G3/8 G1/2	G3/4
B	51	47	47
B1	102	123	123
C	42	55	55
C2	21	27,5	27,5
C3	72	78,5	78,5
C4	38	47,5	55
D	42	66	114
E	25,5	22	22
E1	76,5	98	98
J	32	57	105
K	10	17	17
Ø L	4,1	5,5	4
n	2	3	3
Ø Z	G 1/8	G 3/8	G 3/8
Weight (kg)	0,225	0,180	0,510



- Direct frontal mounting (G1/8 - G1/2) 2 holes ØL and depth C4
- Matching pressure switch
- Modulair 112 range: Leaktight sunk plug. To be removed before mounting pressure switch (remove with 2 mm A/F hex key)