

FEATURES

- Wide tap water pressure regulation ranges: 0,5 to 6 bar
- Reliability and durability, low hysteresis, rolling diaphragm, no friction
- Non-self-relieving regulator

GENERAL

Fluid	water
Maximum inlet pressure	12 bar
Controlled pressure	0,2-3 bar or 0,5-6 bar
Hysteresis	0,35 bar
Ambient temperature	+5°C to +50°C
Max. flow (Qv at 6,3 bar)	550 l/min - 650 l/min

CONSTRUCTION

Seals	NBR (nitrile)
Body	PA (polyamide) glass-fibre reinforced
Locking pressure control knob	"pull-turn-push"

INSTALLATION

Regulators can be installed in any position
Panel mounting possible (mounting ring: see accessories)
Fluid flow direction indicated by arrow and "IN" - "OUT" marking on body

SPECIFICATIONS

port size	MODULAIR range	maximum inlet pressure (bar)	controlled pressure (bar)	flow coefficient Kv		Ø gauge	catalogue number	
				(m³/h)	(l/min)		regulator with pressure gauge 0-10 bar	regulator without pressure gauge
Adjustment range: standard								
G1/8	105	12	0,5-6	0,58	9,7	40	34225273	34225271
G1/4	105	12	0,5-6	0,90	15	40	34225274	34225272
Adjustment range: low								
							0-4 bar	
G1/8	105	12	0,2-3	0,58	9,7	40	34225269	34225267
G1/4	105	12	0,2-3	0,90	15	40	34225270	34225268

ACCESSORIES see page 41

OPTION

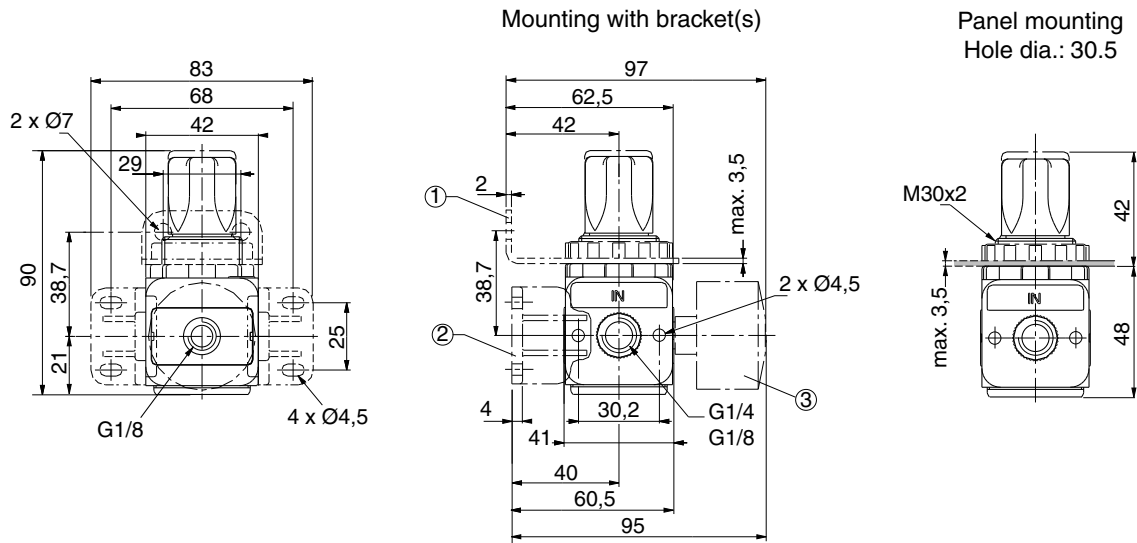
- Equipment for use in potentially **explosive atmospheres** caused by dusts or gases (ATEX Directive 94/9/EC)

zones	classification	gas group	ATEX option code
2-22	II3GD c T 85°C (T6)	IIA-IIB-IIC	612077
1-21	II2GD c IIC T85°C (T6)	IIC	612066



DIMENSIONS AND WEIGHTS

Weight : 0,130 kg



- ① Mounting with top bracket (accessory) and ring
- ② Mounting with 2 side brackets (accessory)
- ③ Dia. 40 mm pressure gauge