

PRESENTATION

- Wide selection of pressure regulation ranges: from between 0,2 and 0,5 bar to 3, 8 or 10 bar
- Ensures constant downstream pressure: rolling diaphragm, self-relieving feature
- Reliability and durability: low hysteresis, rolling diaphragm, no friction

SPECIFICATIONS

FLUID	: Compressed air or neutral gas			
RANGE	105	107	112	112
PORTS	G1/8 - G1/4	G1/8 - G1/4	G1/4...G1/2	G3/4
MAX. INLET PRESSURE (bar)	12	16	16	16
CONTROLLED PRESSURE (bar)	0,5 - 8	0,5 - 10	0,5 - 10	0,5 - 12
	see table below for other values			
HYSTERESIS (bar)	0,35	0,3	0,2	0,2
AMBIENT TEMPERATURE (°C)	0°, +50°	-10°, +50°	-10°, +50°	-10°, +50°C
MAX. FLOW (Qv at 6,3 bar)	see table below and charts			

SELF-RELIEVING REGULATOR

INDIVIDUAL SPECIFICATIONS AND CONSTRUCTION

- MODULAIR 105 range
Regulating device with **rolling** diaphragm (very low hysteresis)
Nitrile seal (NBR)
Glass-fibre reinforced polyamide body (PA)
Locking "pull-turn-push" pressure control knob
- MODULAIR 107 and 112 ranges
Regulating device with **rolling** diaphragm (very low hysteresis)
Nitrile seal (NBR)
Painted zamak body
Locking "pull-turn-push" pressure control knob

INSTALLATION

Regulators can be installed in any position
Panel mounting possible (mounting ring: see accessories)
Fluid flow direction indicated by arrow and "IN" - "OUT" marking on body (Modulair 105).

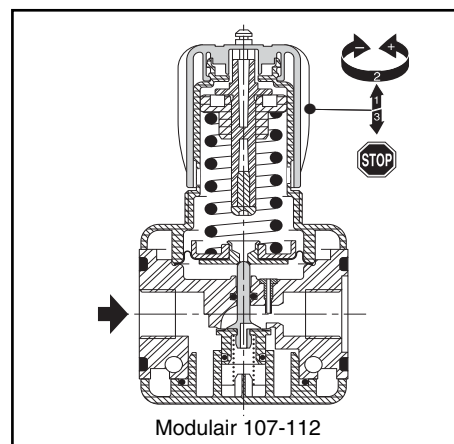
SELECTION DU MATERIEL

port size	MODULAIR range	maximum inlet pressure (bar)	controlled pressure (bar)	flow (ANR) at 6.3 bar pressure setpoint and ΔP of 1 bar / setpoint		code			
				at upstream pressure (bar)	l/min (ANR)	dm³/s (ANR)	regulator	with pressure gauge	without pressure
							Ø gauge	0-12 bar (1)	

Adjustment range: STANDARD									
G1/8	105	12	0,5-8	8	550	9	40	34225007	34225005
G1/4	105	12	0,5-8	8	650	11	40	34225008	34225006
G1/8	107	16	0,5-10	8	700	11,7	40	34204037	34204033
G1/4	107	16	0,5-10	8	1200	20	40	34204038	34204034
G1/4	112	16	0,5-10	10	3900	65	50	34203058	34203052
G3/8	112	16	0,5-10	10	5500	92	50	34203059	34203053
G1/2	112	16	0,5-10	10	7000	117	50	34203060	34203054
G3/4 (2)	112	16	0,5-12	10	7000	117	50	34203B47	34203B46
G3/4 (3)	112	16	0,5-12	10	7000	117	50	34203B55	34203B54

Adjustment range: LOW (0.2 - 3 bar)									
(0-4 bar pressure gauge)									
G1/8	105	12	0,2-3	8	550	9	40	34225261	34225259
G1/4	105	12	0,2-3	8	650	11	40	34225262	34225260
G1/8	107	16	0,2-3	8	700	11,7	40	34204043	34204039
G1/4	107	16	0,2-3	8	1200	20	40	34204044	34204040
G1/4	112	16	0,2-3	10	3900	65	50	34203070	34203064
G3/8	112	16	0,2-3	10	5500	92	50	34203071	34203065
G1/2	112	16	0,2-3	10	7000	117	50	34203072	34203066
G3/4 (3)	112	16	0,2-3	10	7000	117	50	34203B51	34203B50

- (1) 0-10 bar pressure gauge in Modulair 105 range, 0-16 bar pressure gauge in Modulair 112 G3/4 range - Other adjustment ranges on request
- (2) Non intended for the combination
- (3) Version intended for the combination of various functions (FRL - isolation valve etc ...), select the desired functions and obtain the necessary assembly kits and mounting brackets (see page 42)

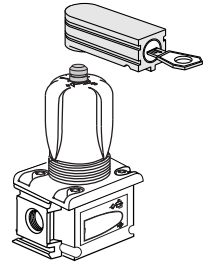


Joinable regulator
common supply type Modulair 112 (see page 15)

ACCESSORIES see page 42

OPTIONS

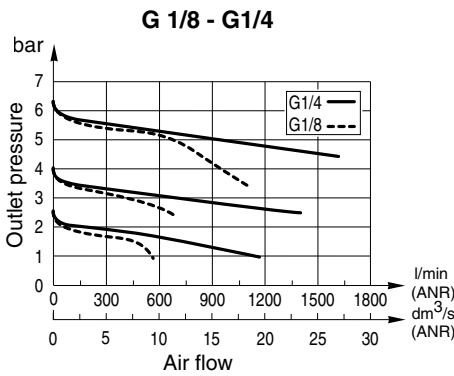
- Key locking device attached to adjustment knob supplied installed on regulator, code: **662561** for Modulair 107 range, code: **662554** for Modulair 112 range. Others options or accessories, see page 46
- Adjustment range: 0.5 to 12 bar for Modulair 107 and 112 ranges (provide 50 mm dia., 0 - 16 bar pressure gauge)
- G3/4 version for Modulair 112, individual unit not for combination, controlled pressure range 0,5 – 10 bar, use code for G1/2 version + option code **662600**, example: 34203003 + 662600
- Water service (non-self-relieving) code: **662541** for Modulair 112 range
- Equipment for use in potentially **explosive atmospheres** caused by dusts or gases (ATEX Directive 94/9/EC)



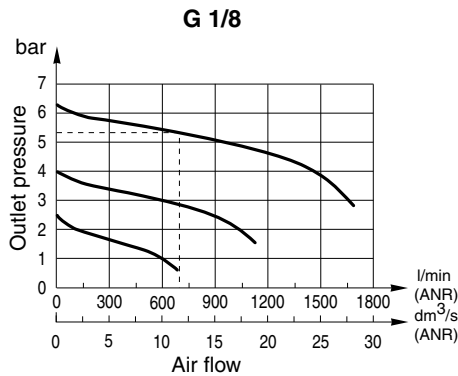
zones	⊕ classification	gas group	ATEX option code		
			Modulair 105	Modulair 107	Modulair 112
2-22	II3GD c T 85°C (T6)	IIA-IIB-IIC	612077	612073	612021
1-21	II2GD c IIC T85°C (T6)	IIC	612066	612064	612062

PRESSURE LOSS VERSUS AIR FLOW CURVES

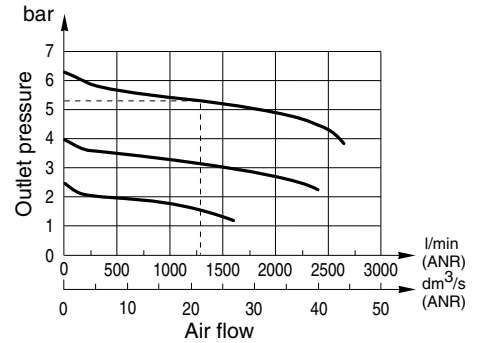
MODULAIR 105



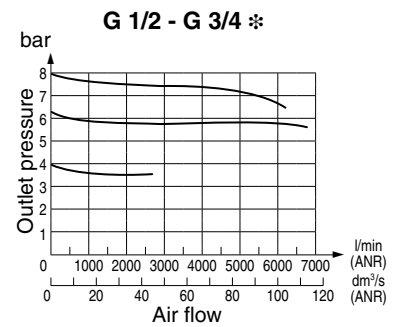
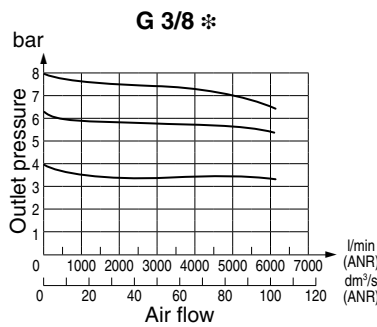
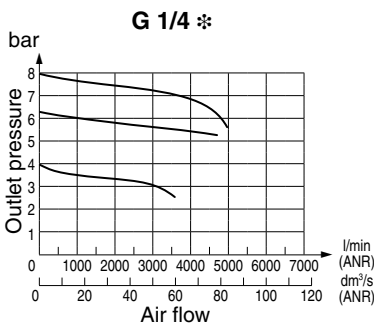
MODULAIR 107



G 1/4



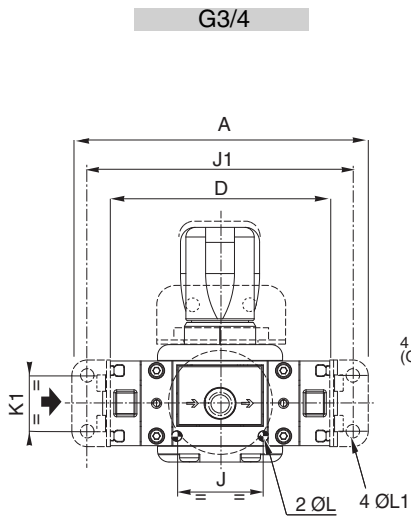
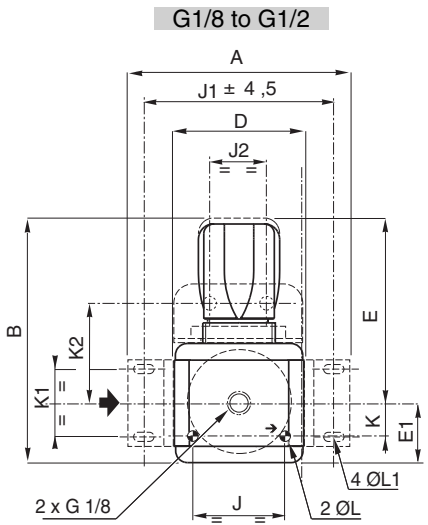
MODULAIR 112



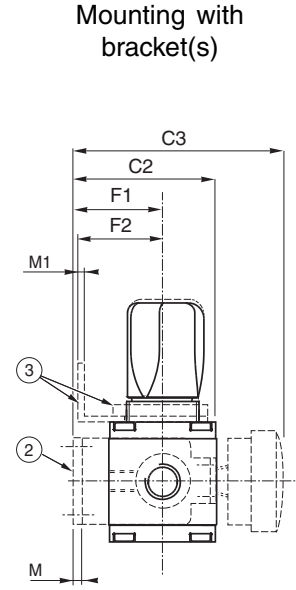
* according to ISO 6953 standards

DIMENSIONS AND WEIGHTS

MODULAIR 107 - 112

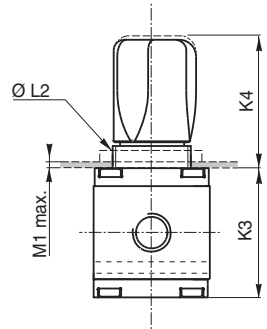


Direct frontal mounting ① or lateral (G3/4)



range	Modulair 107	Modulair 112	Modulair 112
Ø W	G1/8	G1/4	G3/4
A	83	112	154
B	104	125	125
C	42	55	55
C1	76	87	87
C2	61	73,5	69,5
C3	95	105	101,5
D	42	66	114
E	78,5	94,5	94,5
E1	25,5	30,5	30,5
F	21	27,5	27,5
F1	40	46	42
F2	42	42	42
J	32	45	45
J1	68,5	96	138
J2	29	29	29
K	10	17	17
K1	28	33,5	29
K2	37,5	42,5	42,5
K3	51	61	61
K4	53	64	64
ØL	4,1	5,5	5,5
ØL1	4,5	5,5	7
ØL2	M30x2	M37x2	M37x2
M	3	4	2
M1	2	2	2
Weight (kg)	0,270 ⁽¹⁾	0,550 ⁽¹⁾	0,880 ⁽¹⁾

Panel mounting hole diameter:
30.5 for Modulair 107 range
37.5 for Modulair 112 range



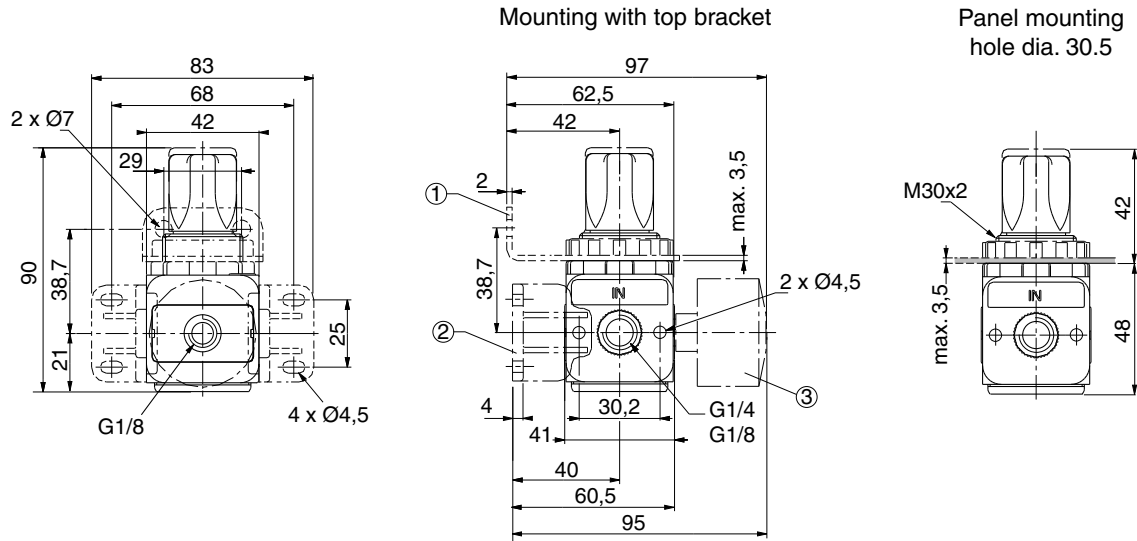
- ① Direct frontal mounting (G1/8 - G1/2) : 2 holes ØL and depth C
- ② Mounting with 2 side brackets (accessory)
- ③ Mounting by upper bracket and mounting ring (accessories)
- ④ Pressure gauge of 40 mm dia. (Modulair 107 range)
or 50 mm dia. (Modulair 112 range)

(1) Weight without pressure gauge

DIMENSIONS AND WEIGHTS

Weight : 0,135 kg

MODULAIR 105



- ① Mounting with top bracket (accessory) and mounting ring
- ② Mounting with 2 side brackets (accessory)
- ③ 40 mm dia. pressure gauge