



FEATURES

- Constant and controlled lubrication: venturi-type technology with perfect oil atomisation
- Oil level control: Lubricator oil level viewing window and pressurised/unpressurised lubricator oil refilling.
- Compatible for use in major industrial environments: Metal bowl with protector

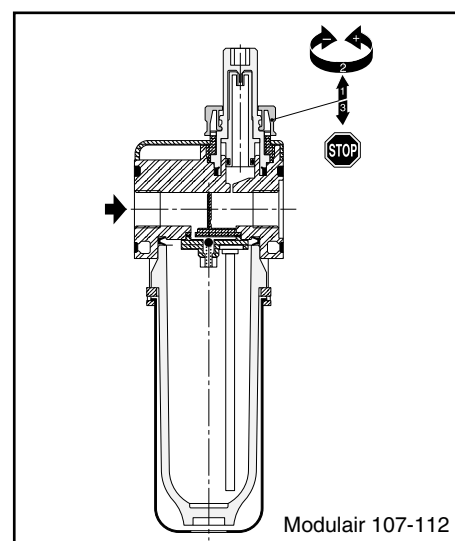
SPECIFICATIONS

FLUID : Compressed air or neutral gas

RANGE	MODULAIR	
	107	112
PORTS	G1/8 - G1/4	G1/4...G3/4
MAX. INLET PRESSURE (bar)		
	at 23°C	12
	at 50°C	10
AMBIENT TEMPERATURE (°C)	0°C to +50°C	
MAX. FLOW (Qv at 6,3 bar)	See table below and charts	
MIN. START POINT	See table below	
LUBRICATION	Selective oil fog	

INDIVIDUAL SPECIFICATIONS AND CONSTRUCTION

- MODULAIR 107 and 112 ranges
- Lubricator oil refilling unpressurised (Modulair 107 range)
- Lubricator oil refilling unpressurised/pressurised (Modulair 112 range)
- Painted zamak body
- Polycarbonate bowl (PC), UV resistant, with or without protector
- Bowl protector with safety lock and oil level window
- Metal bowl for Modulair 112 range (see page 26)
- Optional polyamide bowl
- «Pull-turn-push» locking oil flow adjustment knob



CHOICE OF EQUIPMENT

port size	MODULAIR range	bowl capacity (cm ³)	max. oil capacity (cm ³)	flow at 6.3 bar				code
				mini (1)		max.		
				l/min (ANR)	dm ³ /s (ANR)	l/min (ANR)	dm ³ /s (ANR)	
Polycarbonate bowl WITH protector								
G1/8	107	50	30	20	0,3	1350	22,5	34204001
G1/4	107	50	30	20	0,3	2500	41,6	34204002
G1/4	112	114	73	20	0,3	3900	65	34203270
G3/8	112	114	73	20	0,3	> 6500	> 108	34203271
G1/2	112	114	73	20	0,3	> 6500	> 108	34203272
Metal bowl WITH visualization (others versions see page 27)								
G3/4 (2)	112	114	73	20	0,3	> 6500	> 108	34203A41
G3/4 (3)	112	114	73	20	0,3	> 6500	> 108	34203A43
Polycarbonate bowl WITHOUT protector								
G1/8	107	50	30	20	0,3	1350	22,5	34204005
G1/4	107	50	30	20	0,3	2500	41,6	34204006
G1/4	112	114	73	20	0,3	3900	65	34203276
G3/8	112	114	73	20	0,3	> 6500	> 108	34203277
G1/2	112	114	73	20	0,3	> 6500	> 108	34203278

- (1) Minimum for lubricator startup
- (2) Metal bowl version non intended for the combinaison
- (3) Version intended for the combinaison of various functions (FRL - isolation valve etc ...), select the desired functions and obtain the necessary assembly kits and mounting brackets (see page 42)

INSTALLATION

Systems must be installed with the bowls in vertical position
 Air flow direction indicated by arrow
 Adjust oil flow. Adjustment sight glass.
 Recommended type of oil: Non-detergent and without aggressive additives
 viscosity **VG32** (ISO 3448)

MAINTENANCE

Use an **alkaline solution (soapy water)** and not a solvent for cleaning the polycarbonate bowls and sight glasses

ACCESSORIES see page 42

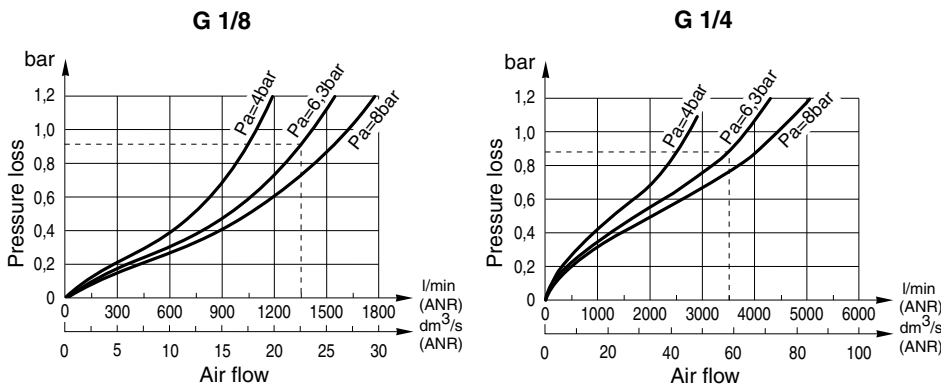
OPTIONS

- Metal bowl for Modulair 112 range (see page 26)
- Polyamide bowl with protector, for use in solvent-charged environments (Modulair 107 and 112 ranges)
- G3/4 version for Modulair 112, individual unit not for combination, polycarbonate bowl **with** bowl protector use code for G1/2 version + option code **662600**, example: 34203003 + 662600
- Equipment for use in potentially **explosive atmospheres** caused by dusts or gases (ATEX Directive 94/9/EC)

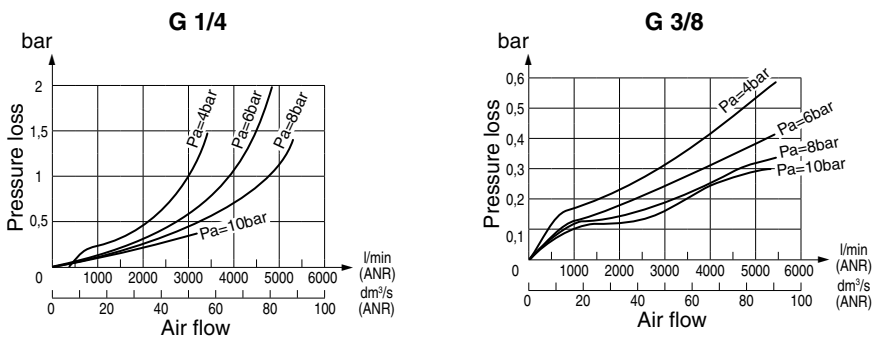
zones	⊕ classification	gas group	ATEX option code			
			Modulair 107		Modulair 112	
			with bowl protector	without bowl protector	with bowl protector	without bowl protector
2-22	II3GD c T 85°C (T6)	IIA-IIB-IIC	612073		612021	
1-21	II2GD c IIB T85°C (T6)	IIB	612072		612023	
1-21	II2GD c IIC T85°C (T6)	IIC	612064	-	612062	-

PRESSURE LOSS VERSUS AIR FLOW CURVES

MODULAIR 107

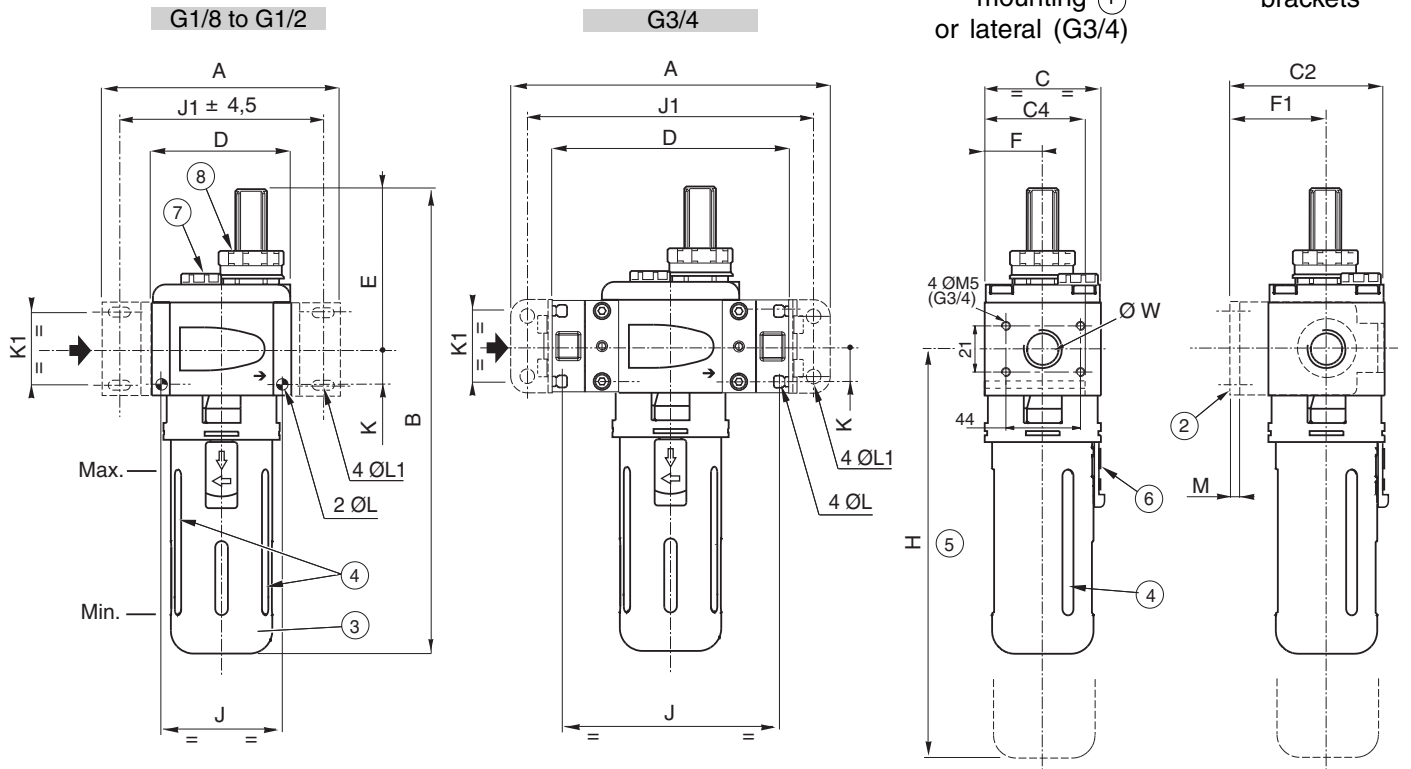


MODULAIR 112



DIMENSIONS AND WEIGHTS

MODULAIR 107 - 112



Range	Modulair 107	Modulair 112	Modulair 112
Ø W	G1/8	G1/4	G3/4
	G1/4	G3/8	G3/4
		G1/2	
Bowl (cl)	7	12	12
A	83	112	154
B	187	215	215
C	42	55	55
C2	61	73,5	69,5
C4	38	47,5	47,5
D	42	66	114
E	65	71	27,5
F	21	27,5	27,5
F1	40	46	42
H	215	243	243
J	32	57	105
J1	68,5	96	138
K	10	17	17
K1	28	33,5	29
ØL	4,1	5,5	4
ØL1	4,5	5,5	7
M	4	4	2
Weight (kg)	0,350	0,640	0,970

- ① Direct frontal mounting (G1/2 - G3/4) : 2 holes ØL and depth C4
- ② Mounting with 2 side brackets (accessory)
- ③ Metal bowl protector with transparent polycarbonate bowl
- ④ Min./max. oil level window (long slots)
- ⑤ Clearance necessary for bowl removal
- ⑥ Protector unlocking button
- ⑦ Filler plug
- ⑧ Oil flow adjustment knob

