

PRESENTATION

- Large choice of filtering capacities for oil and water aerosols: 5, 10, 25 and 50 µm
- Condensate level control with manual, semi-automatic or automatic drain integrated in the body
- Compatible for use in major industrial environments: polycarbonate bowl with protector

SPECIFICATIONS

FLUID	: Compressed air or neutral gas			
RANGE	105	107	112	112
PORTS	G1/8 - G1/4	G1/8 - G1/4	G1/4...G1/2	G3/4
MAX. INLET PRESSURE (4) (bar) at 23° C	12	16	16	16
	10	10	10	12
at 50° C				
AMBIENT TEMPERATURE	0° C to +50° C			
MAX. FLOW (Qv at 6.3 bar)	See table below and charts			



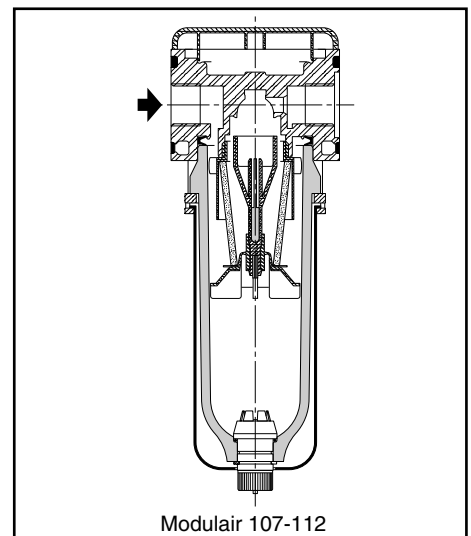
INDIVIDUAL SPECIFICATIONS AND CONSTRUCTION

■ MODULAIR 105 range

- Filtering capacity: 25 µm and 5 µm
- Filtering element of polyethylene (PE)
- Glass-fibre reinforced polyamide body (PA)
- Polycarbonate bowl (PC), UV resistant
- Condensate drain: semi-automatic (operating pressure: min. 1.2 bar) or manual (as option)

■ MODULAIR 107 and 112 ranges

- Filtering capacity: 25 µm and 5 µm (10 and 50 µm on request)
- Filtering element of polyethylene (PE)
- Painted zamak body
- Polycarbonate bowl (PC), UV resistant, with or without bowl protector
- Bowl protector with safety lock and condensate level viewing window
- Metal bowl for Modulair 112 range (see page 50)
- Polyamide bowl as option
- Condensate drain: semi-automatic (operating pressure: min. 1.2 bar) or pipable automatic (operating pressure: 2 to 10 bar) or manual drain as option.



Modulair 107-112

CHOICE OF EQUIPMENT

port size	MODULAIR range	bowl capacity		maximum flow (at 10 bar / ΔP 1,5 bar)		code				
		total (cm³)	useful (cm³)	l/min (ANR)	dm³/s (ANR)	filter		automatic drain		
						semi-automatic drain 25 µm	5 µm (1)	25 µm	5 µm (1)	
Polycarbonate bowl WITH protector										
G1/8	105	28	10	890 (5)	14,8	34225213	34225253	-	-	
G1/4	105	28	10	1050 (5)	17,5	34225214	34225254	-	-	
G1/8	107	50	12	1030 (5)	17	34204011	34204015	-	-	
G1/4	107	50	12	1800 (5)	30	34204012	34204016	-	-	
G1/4	112	114	40	2600	43,3	34203001	34203007	34203013	34203019	
G3/8	112	114	40	3000	50	34203002	34203008	34203014	34203020	
G1/2	112	114	40	3800	63,3	34203003	34203009	34203015	34203021	
Metal bowl WITH visualization (others versions see page 27)										
G3/4 (2)	112	114	40	5000	83,3	34203A03	34203A09	34203A01	34203A07	
G3/4 (3)	112	114	40	5000	83,3	34203A23	34203A29	34203A21	34203A27	
Polycarbonate bowl WITHOUT protector										
G1/8	105	28	10	890 (5)	14,8	34225133	34225173	-	-	
G1/4	105	28	10	1050 (5)	17,5	34225134	34225174	-	-	
G1/8	107	50	12	1030 (5)	17	34204023	-	-	-	
G1/4	107	50	12	1800 (5)	30	34204024	-	-	-	
G1/4	112	114	40	2600	43,3	34203038	-	34203360	-	
G3/8	112	114	40	3000	50	34203039	-	34203361	-	
G1/2	112	114	40	3800	63,3	34203040	-	34203362	-	

(1) With a 5 µm filtering element flow is reduced by approx. 15%

(2) Non intended for the combination

(3) Version intended for the combination of various functions (FRL - isolation valve etc ...), select the desired functions and obtain the necessary assembly kits and mounting brackets (see page 42)

(4) P max= 10 bar for version with automatic drain

(5) at 6,3 bar/ΔP 1 bar

INSTALLATION

Each system must be installed with the bowls in vertical position (at the bottom).
Air flow direction indicated by arrow and "IN" - "OUT" marking on body (Modulair 105).

MAINTENANCE

Use an alkaline solution (soapy water) and not a solvent for cleaning the polycarbonate bowls and sight glasses

ACCESSORIES see page 42

OPTIONS

- Metal bowl equipped with semi-automatic, automatic or manual drain for Modulair 112 range (see page 26)
- Polyamide bowl with protector for use in solvent-charged environments for Modulair 107 and 112 ranges
- Manual drain for Modulair 105, 107 and 112 ranges - code **662563** (Modulair 112 - fits on semi-automatic drain version only)
- G3/4 version for Modulair 112 with polycarbonate bowl **with** bowl protector, controlled pressure range 0,5 – 10 bar, use code for G1/2 version + option code **662600**, example: 34203003 + 662600
- Filtering capacity, 10 µm: code **662555** (Modulair 107 range) - code **662535** (Modulair 112 range)
50 µm: code **662556** (Modulair 107 range) - code **662536** (Modulair 112 range)

Modulair 107 and 112 range filtering elements are colour-coded as follows:

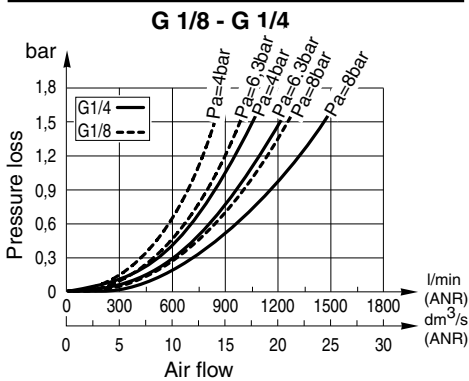
5 µm = white 10 µm = red
25 µm = yellow 50 µm = green

- Equipment for use in potentially **explosive atmospheres** caused by dusts or gases (ATEX Directive 94/9/EC)

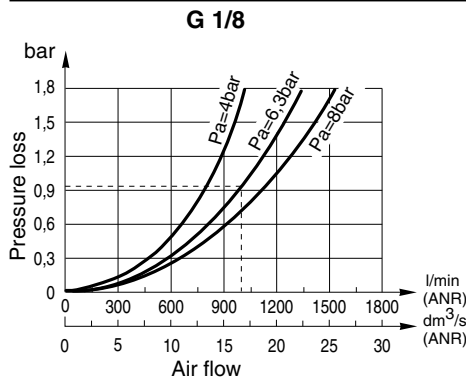
zones	⊕ classification	gas group	Modulair 105	ATEX option code		Modulair 112	
				with bowl protector	without bowl protector	with bowl protector	without bowl protector
2-22	II3GD c T 85°C (T6)	IIA-IIIB-IIC	612077	612073	-	612021	-
1-21	II2GD c IIB T85°C (T6)	IIB	612076	612072	-	612023	-
1-21	II2GD c IIC T85°C (T6)	IIC	-	612064	-	612062	-

PRESSURE LOSS VERSUS AIR FLOW CURVES

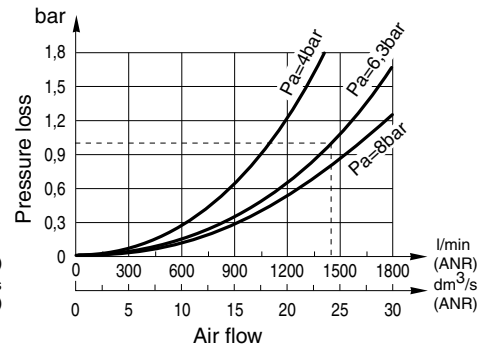
MODULAIR 105



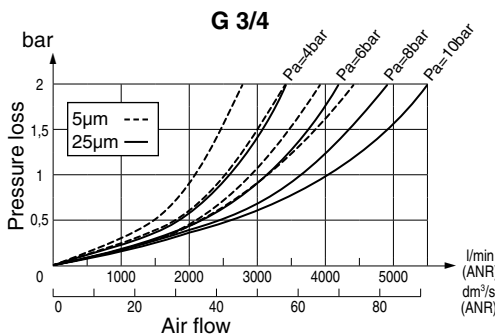
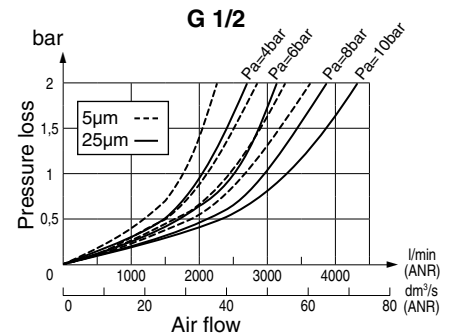
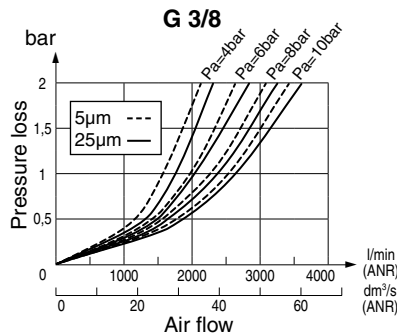
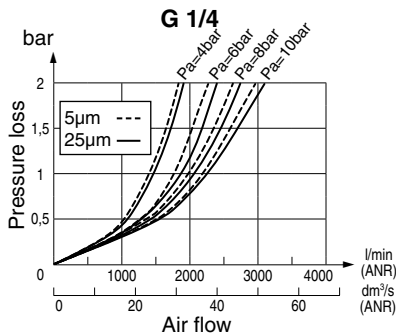
MODULAIR 107



G 1/4



MODULAIR 112

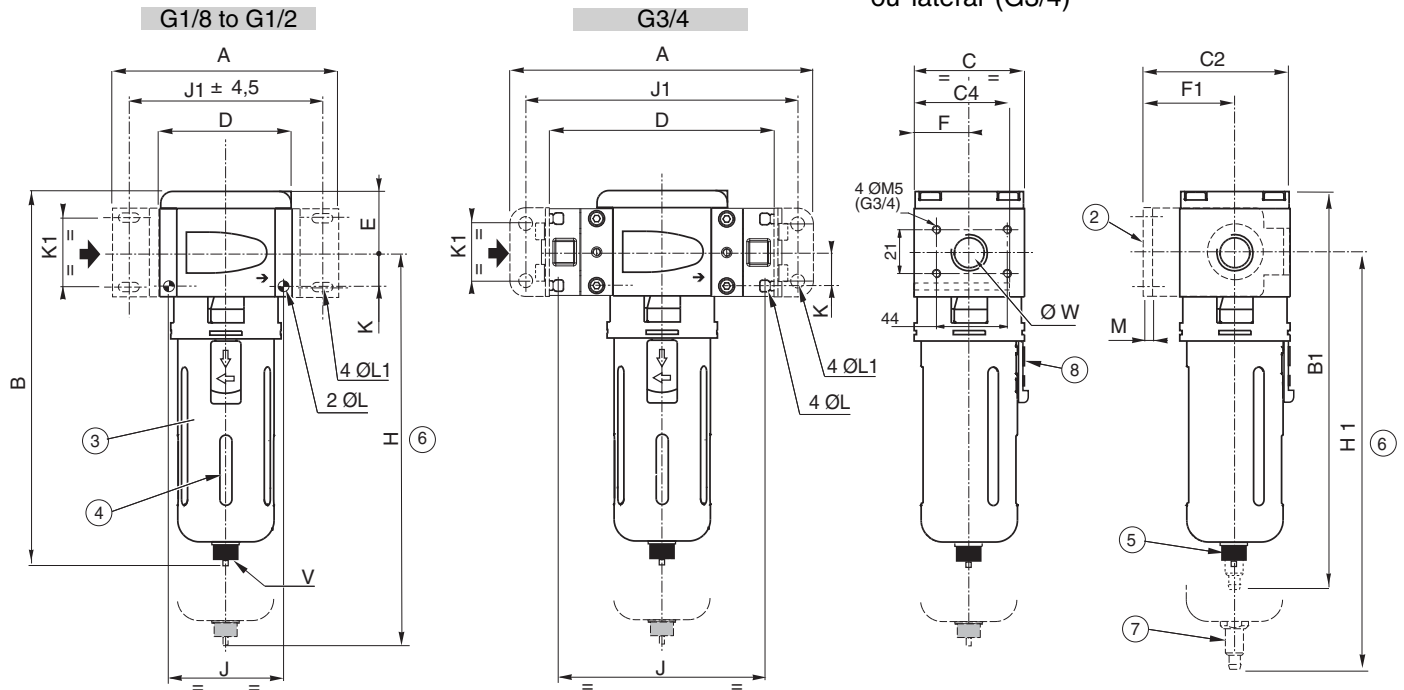


DIMENSIONS AND WEIGHTS

MODULAIR 107 - 112

Direct frontal mounting
ou lateral (G3/4) ①

Mounting
with brackets



range	Modulair 107	Modulair 112	Modulair 112
Ø W	G1/8	G1/4	G3/4
	G1/4	G3/8	G3/4
		G1/2	
bowl (cl)	7	12	12
A	83	112	154
B	159,5	187	187
B1	-	198	198
C	42	55	55
C2	61	73,5	69,5
C4	38	47,5	55
D	42	66	114
E	25,5	30,5	30,5
F	21	27,5	27,5
F1	40	46	42
H	190	221,5	221,5
H1	-	232,5	232,5
J	32	57	105
J1	68,5	96	138
K	10	17	17
K1	28	33,5	29
ØL	4,1	5,5	4
ØL1	4,5	5,5	7
M	3	4	2
V	G1/8	G1/8	G1/8
Weight	0,280	0,700	1,030
(kg)		0,780 ⁽¹⁾	1,110 ⁽¹⁾

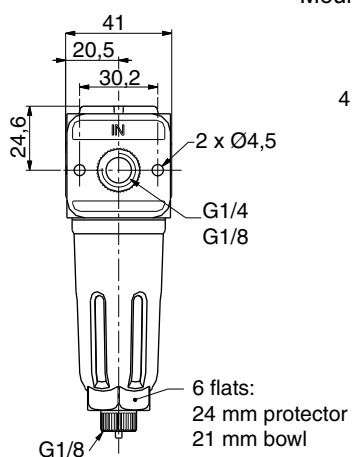
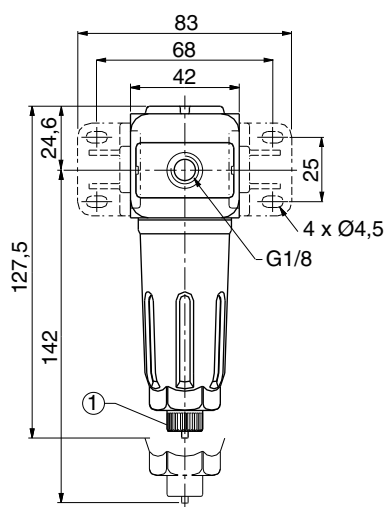
- ① Direct frontal mounting (G1/8 - G1/2) : 2 holes ØL and depth C4
- ② Mounting with 2 side brackets (accessory)
- ③ Metal bowl protector with transparent polycarbonate bowl
- ④ Condensate level window (short slot)
- ⑤ G 1/8 connectable semi-automatic drain
- ⑥ Clearance necessary for removing bowl
- ⑦ Automatic drain with fitting for connection of 6 mm ID hose (Modulair 112 range)
- ⑧ Protector unlocking button

(1) weight with automatic drain

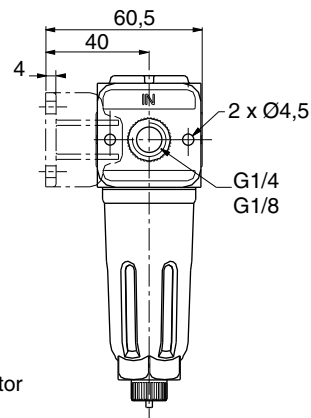
DIMENSIONS EAND WEIGHTS

Weight : 0,134 kg

MODULAIR 105



Mounting with side bracket (2)



- ① Semi-automatic drain, connectable to G1/8
- ② Mounting with side bracket (accessory)