

PRESENTATION

- Quick installation and connection to systems: filter, regulator and lubricator functions in a "single unit"
- Light weight and robust design for direct installation on rigid piping
- Assembly of additional components without pipes or fittings: with «standard» kits

SPECIFICATIONS

FLUID	: Compressed air and neutral gas			
RANGE	105	107	112	112
PORTS	G1/8 - G1/4	G1/8 - G1/4	G1/4...G1/2	G3/4
MAX. INLET PRESSURE (5) (bar)	at 23°C	12	16	16
	at 50°C	10	10	10
CONTROLLED PRESSURE (bar)	0,5 - 8	0,5 - 10	0,5 - 10	0,5 - 12
	See options for other values			
HYSTERESIS (bar)	0,35	0,3	0,2	0,2
AMBIENT TEMPERATURE (°C)	0°C to +50°C			
MAX. FLOW (Qv at 6,3 bar)	See table below and charts			
REGULATOR	Self-relieving			



INDIVIDUAL SPECIFICATIONS AND CONSTRUCTION

■ MODULAIR 105

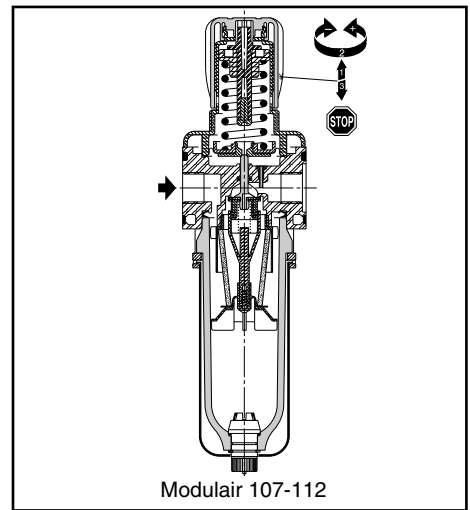
- Filtering capacity: 25 µm (5 µm on request)
- Semi-automatic drain (operating pressure: min. 1.2 bar)
- Regulating device with a **rolling** diaphragm (very low hysteresis)

■ MODULAIR 107 and 112 ranges

- Filtering capacity: 25 µm or 5 µm (10 and 50 µm on request)
- Semi-automatic drain (operating pressure: min. 1.2 bar) or automatic (operating pressure: 2 to **10 bar max.**) or manual
- Metal bowl for Modulair 112 range (see page 26)
- Regulating device with a **rolling** diaphragm (very low hysteresis)

INSTALLATION - MAINTENANCE

Systems must be installed with the bowls in vertical position (at the bottom). Air flow direction indicated by arrow and «IN» - «OUT» marking on the body (**Modulair 105**). Use an **alkaline solution (soapy water)** and not a solvent for cleaning the polycarbonate bowls and sight glasses



CHOICE OF EQUIPMENT

port size	MODULAIR range	bowl capacity (cm³)	controlled pressure (bar)	flow (ANR)			Ø mano	code			
				at upstream pressure (bar)	at 6.3 bar pressure setpoint and ΔP of 1 bar / setpoint			filtre regulator		purge automatique	
				(bar)	l/min (ANR)	dm³/s (ANR)		semi-automatic drain with 0-12 bar gauge (1)	without gauge	with 0-12 bar gauge (1)	without gauge
25 µm filtration - 0.5 - 8/10 bar adjustment - Polycarbonate bowl WITH protector (2)											
G1/8	105	28	0,5-8	8	550	9	40	34225203	34225201	-	-
G1/4	105	28	0,5-8	8	650	11	40	34225204	34225202	-	-
G1/8	107	50	0,5-10	8	700	11,7	40	34204049	34204045	-	-
G1/4	107	50	0,5-10	8	1500	26	40	34204050	34204046	-	-
G1/4	112	114	0,5-10	10	3200	53,3	50	34203086	34203080	34203135	34203129
G3/8	112	114	0,5-10	10	5200	86,6	50	34203087	34203081	34203136	34203130
G1/2	112	114	0,5-10	10	5600	93,3	50	34203088	34203082	34203137	34203131
25 µm filtration - 0.5 - 12 bar adjustment - Metal bowl WITH visualization (others versions see page 27)											
G3/4 (3)	112	114	0,5-12	10	5600	93,3	50	34203A54	34203A53	34203A46	34203A45
G3/4 (4)	112	114	0,5-12	10	5600	93,3	50	34203B03	34203B02	34203A94	34203A93
5 µm filtration - 0.5 - 10 bar adjustment - Polycarbonate bowl WITH protector (2)											
G1/8	107	50	0,5-10	8	600	10	40	34204055	34204051	-	-
G1/4	107	50	0,5-10	8	1100	18	40	34204056	34204052	-	-
G1/4	112	114	0,5-10	10	3200	53,3	50	34203098	34203092	34203147	34203141
G3/8	112	114	0,5-10	10	5200	86,6	50	34203099	34203093	34203148	34203142
G1/2	112	114	0,5-10	10	5600	93,3	50	34203100	34203094	34203149	34203143
5 µm filtration - 0.5 - 12 bar adjustment - Metal bowl WITH visualization (others versions see page 27)											
G3/4 (3)	112	114	0,5-12	10	5600	93,3	50	34203A74	34203A73	34203A66	34203A65
G3/4 (4)	112	114	0,5-12	10	5600	93,3	50	34203B23	34203B22	34203B15	34203B14

(1) 0-10 bar pressure gauge in Modulair 105 range

(2) Adjustment range 0.2 - 3 bar and other values on request

(3) Non intended for the combination

(5) P max= 10 bar for version with automatic drain

(4) Version intended for the combination of various functions (FRL - isolation valve etc ...), select the desired functions and obtain the necessary assembly kits and mounting brackets (see page 42)

25 µm filtration - 0,5 - 8/10 bar adjustment - Polycarbonate bowl WITHOUT protector (see following page)

CHOICE OF EQUIPMENT

port size	MODULAIR range	bowl capacity (cm ³)	controlled pressure (µm)	flow (ANR)			code				
				at upstream pressure (bar)	at 6.3 bar pressure setpoint and ΔP of 1 bar / setpoint		filtre regulator		purge automatique		
					l/min (ANR)	dm ³ /s (ANR)	Ø mano	semi-automatic drain with 0-12 bar gauge (1)	without gauge	with 0-12 bar gauge (1)	without gauge
25 µm filtration - 0,5 - 8/10 bar adjustment - Polycarbonate bowl WITHOUT protector											
G1/8	105	28	0,5-8	8	550	9	40	34225123	34225121	-	-
G1/4	105	28	0,5-8	8	650	11	40	34225124	34225122	-	-
G1/8	107	50	0,5-10	8	700	11,7	40	34204073	34204069	-	-
G1/4	107	50	0,5-10	8	1500	26	40	34204074	34204070	-	-
G1/4	112	114	0,5-10	10	3200	53	50	34203372	34203340	34203378	34203375
G3/8	112	114	0,5-10	10	5200	86	50	34203373	34203341	34203379	34203376
G1/2	112	114	0,5-10	10	5600	93,3	50	34203374	34203342	34203380	34203377

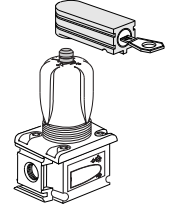
(1) 0-10 bar pressure gauge in Modulair 105 range

ACCESSORIES see page 42

OPTIONS

FOR FILTER/REGULATOR

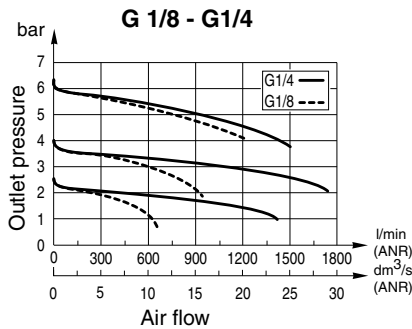
- Metal bowl equipped with semi-automatic, automatic or manual drain for Modulair 112 range (see page 26)
- Polyamide bowl with protector for use in solvent-charged environments (Modulair 107 and 112 ranges)
- Manual drain for Modulair 105, 107 and 112 ranges - code **662563** (Modulair 112 - fits on semi-automatic drain only)
- G3/4 version for Modulair 112, individual unit not for combination, polycarbonate bowl **with** bowl protector, controlled pressure range 0,5 – 10 bar, use code for G1/2 version + option code **662600**, example: 34203088 + 662600
- Filtering capacity:
 - 5 µm : (consult us for Modulair 105 range)
 - 10 µm: code **662555** (Modulair 107 range) - code **662535** (Modulair 112 range)
 - 50 µm: code **662556** (Modulair 107 range) - code **662536** (Modulair 112 range)
- Key locking device for adjustment knob, attached to knob, **supplied installed** on regulator, code: **662561** for Modulair 107 range, **662554** for Modulair 112 range. Others options or accessories, see page 46
- Adjustment range: 0.2 to 3 bar, for Modulair 105, 107 and 112 ranges (provide 40/50 mm dia. 0 - 4 bar pressure gauge)
0.5 to 12 bar, for Modulair 107 and 112 ranges (provide 50 mm dia. 0 - 16 bar pressure gauge)
- Equipment for use in potentially **explosive atmospheres** caused by dusts or gases (ATEX Directive 94/9/EC)



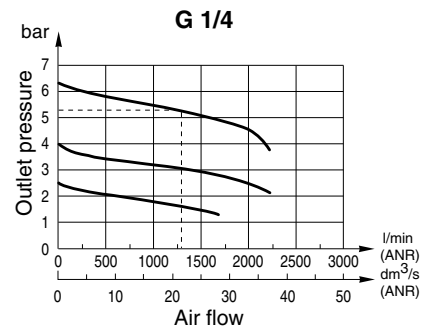
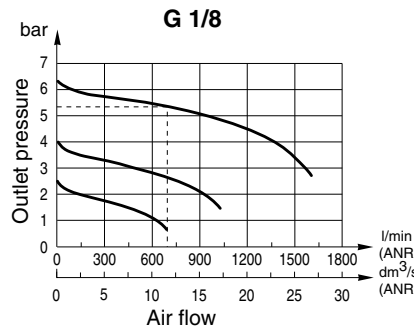
zones	Ex classification	groupe de gaz	ATEX option code			
			Modulair 105	Modulair 107 with bowl protector without bowl protector	Modulair 112 with bowl protector without bowl protector	
2-22	II3GD c T 85°C (T6)	IIA-IIIB-IIC	612077	612073	612021	
1-21	II2GD c IIB T85°C (T6)	IIB	612076	612072	612023	
1-21	II2GD c IIC T85°C (T6)	IIC	-	612064	612062	-

PRESSURE LOSS VERSUS AIR FLOW CURVES

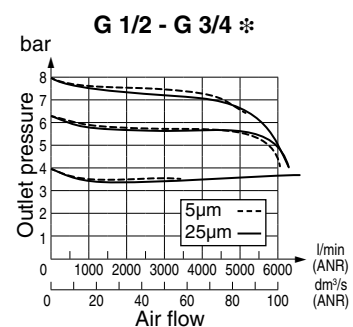
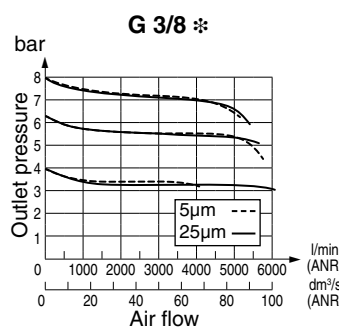
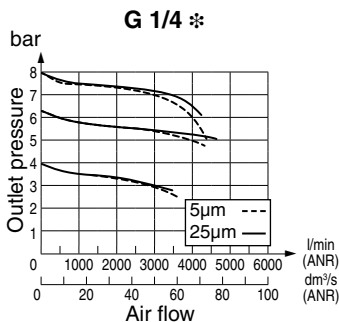
MODULAIR 105



MODULAIR 107



MODULAIR 112

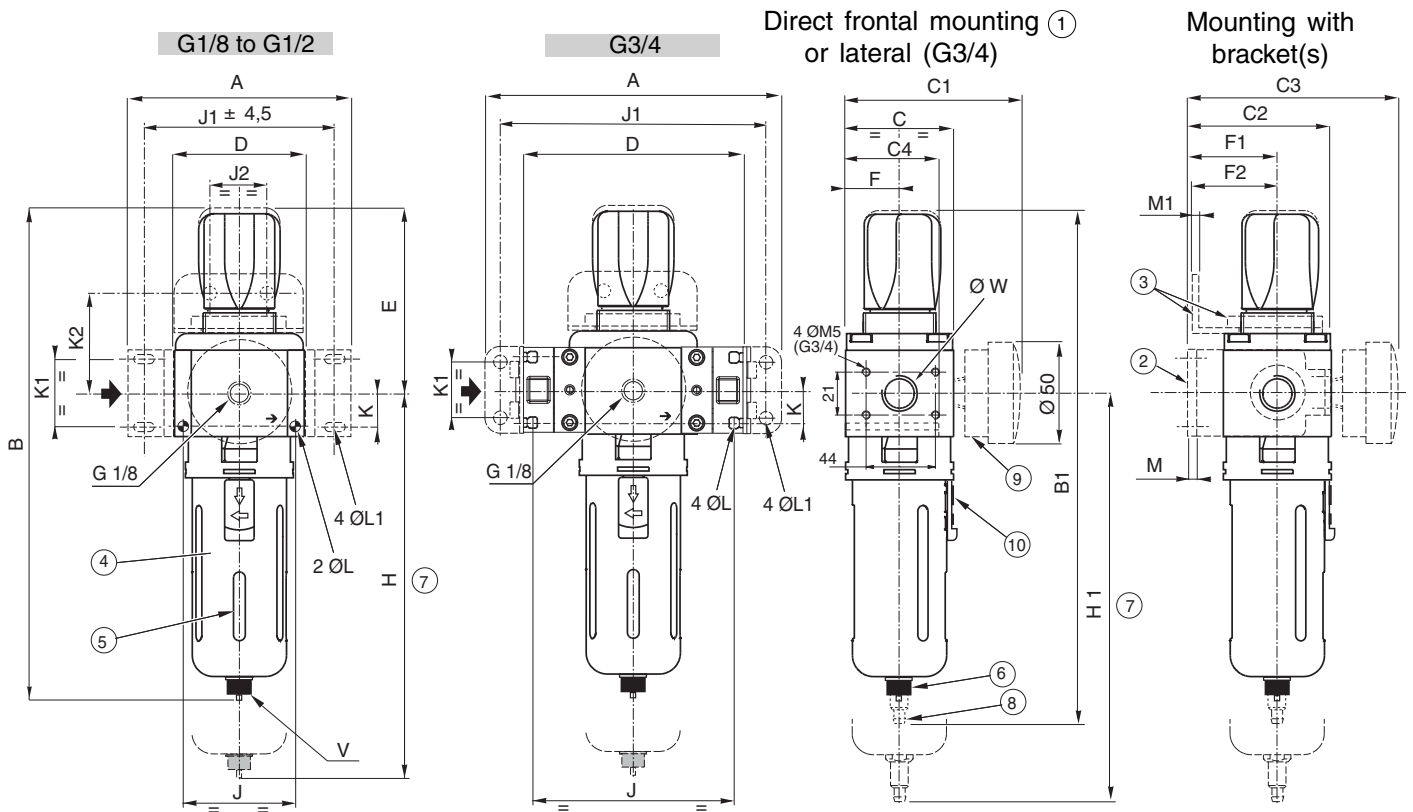


* according to ISO 6953 standards

All leaflets are available on: www.asconumatics.eu

DIMENSIONS AND WEIGHTS

MODULAIR 107 - 112



range	Modulair 107	Modulair 112	Modulair 112
$\varnothing W$	G1/8	G1/4	G3/4
Bowl (cl)	7	12	12
A	83	112	154
B	213	251	251
B1	-	262	262
C	42	55	55
C1	76	87	87
C2	61	73,5	69,5
C3	95	105	101,5
C4	38	47,5	47,5
D	42	66	114
E	79	94,5	94,5
F	21	27,5	27,5
F1	40	46	42
F2	42	42	42
H	190	221,5	221,5
H1	-	232,5	232,5
J	32	57	105
J1	68,5	96	138
J2	29	29	29
K	10	17	17
K1	28	33,5	29
K2	37,5	42,5	42,5
$\varnothing L$	4,1	5,5	5,5
$\varnothing L1$	4,5	5,5	4
M	3	4	2
M1	2	2	2
V	G1/8	G1/8	G1/8
Weight (kg)	0,380 ⁽¹⁾	0,830 ⁽¹⁾	1,160 ⁽¹⁾
		0,910 ⁽²⁾	1,240 ⁽²⁾

- ① Direct frontal mounting (G1/8 - G1/2) : 2 holes $\varnothing L$ and depth C4
- ② Mounting with 2 side brackets (accessory)
- ③ Mounting with top bracket and mounting ring (accessory)
- ④ Metal bowl protector with transparent polycarbonate bowl
- ⑤ Condensate level window
- ⑥ G 1/8 connectable semi-automatic drain
- ⑦ Clearance necessary for bowl removal
- ⑧ Automatic drain with fitting for connection of 6 mm ID hose (Modulair 112 range)
- ⑨ 40 mm dia. pressure gauge (Modulair 107 range) or 50 mm dia. pressure gauge (Modulair 112 range)
- ⑩ Protector unlocking button

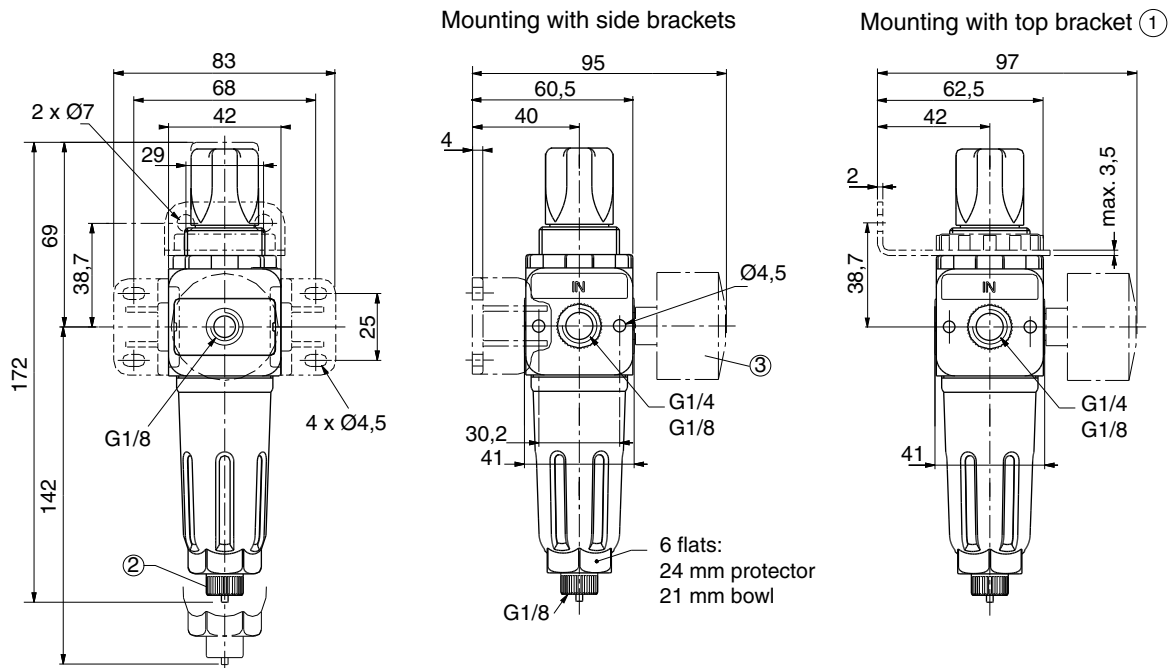
(1) Weight without pressure gauge

(2) Weight with automatic drain

DIMENSIONS AND WEIGHTS

Weight : 0,190 kg

MODULAIR 105



- ① Mounting with top bracket (accessory) and mounting ring
- ② Semi-automatic drain, connectable to G1/8 port

- ③ 40 mm dia. pressure gauge