

PRESENTATION

- High levels of filtration :
 - of solid particles (0.01 µm),
 - aerosols of oil and water (0.01 ppm).
- This material exists in version intended for use in potentially **explosive atmospheres** caused by gases or dusts - ATEX directive 94/9/CE (see ATEX option)

SPECIFICATION

FLUID	: Compressed air or neutral gas
PORTS	: G 1/4, G 3/8 and G 1/2
MAX. INLET PRESSURE	: 12 bar at 23°C or 10 bar at 50°C
AMBIENT TEMPERATURE	: +1.5°C to +50°C
MAX. FLOW (Qv at 6.3 bar)	: see table below
BOWL CAPACITY	: 7 cl or 12 cl
USEFUL RETENTION CAPACITY	: 2.5 cl or 4 cl
SEMI-AUTOMATIC DRAIN	
SELF-RELIEVING PREFILTER/REGULATOR	(0.5 to 10 bar adjustment).

COMPOSITION OF SYSTEMS

PREFILTER + SUBMICRON FILTER SYSTEM

Consisting of a 5 µm capacity prefilter and a 0.01 µm capacity submicron filter (see opposite)

PREFILTER/REGULATOR + SUBMICRON FILTER SYSTEM

Consisting of a 5 µm capacity prefilter/regulator (no pressure gauge) and a 0.01 µm capacity submicron filter

Controlled pressure: 0,5 to 10 bar (other adjustment range, in option)

INDIVIDUAL SPECIFICATION

FILTERING CAPACITY	: 0.01 µm
SEMI-AUTOMATIC DRAIN	(operating pressure: 1.2 to 12/10 bar)

CONSTRUCTION

PREFILTER or PREFILTER/REGULATOR

- Zamak body
- Polyethylene (P-E) 5 µm filtering element
- 5 µm *prefilter or prefilter/regulator*: see previous pages

SUBMICRON FILTER

- Zamak body
- 0.01µm coalescent filtering element

ALL MODELS

- Polycarbonate (PC) bowls with protectors and semi-automatic drains automatic and manual drains on request

INSTALLATION - MAINTENANCE

Systems must be installed with the bowls in vertical position

Air flow direction indicated by arrow

Both products include a special Clarifiar assembly kit

Use an alkaline solution (soapy water) and not a solvent for cleaning the polycarbonate bowls and sight glasses

CHOICE OF EQUIPMENT

port size	MODULAIR range	bowl capacity		maximum flow at 6.3 bar max. ΔP: 0.350 bar		code system	
		total	useful	l/min (ANR)	dm³/s (ANR)	prefilter + Submicron filter	prefilter/regulator + Submicron filter (no pressure gauge)
		(cm³)	(cm³)			with semi-automatic drains	with semi-automatic drains
G1/8	107	50	12	700	11,7	34204143	34204151
G1/4	107	50	12	700	11,7	34204144	34204152
G1/4	112	114	40	1050	17,5	34203411	34203417
G3/8	112	114	40	1050	17,5	34203412	34203418
G1/2	112	114	40	1050	17,5	34203413	34203419

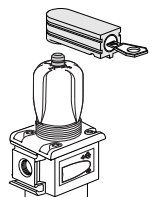
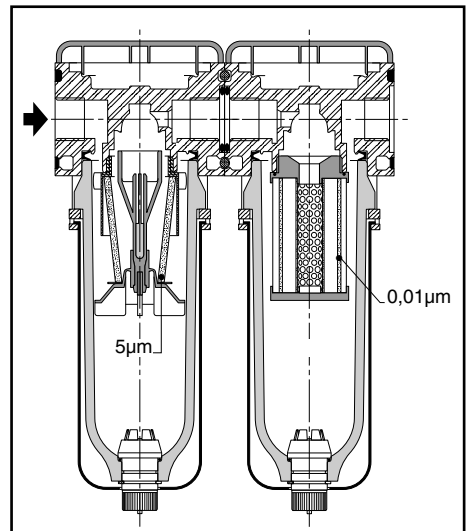
Complementary range G1/2 to G1: see MAXI type (P730)

ACCESSORIES (see page P710-41)

OPTIONS

- Manual drains (Modulair 112 - fits on semi-automatic drains only)
- Automatic drains (operating pressure: 2 to **10 bar**) for Modulair 112 range
- Polycarbonate bowls without protectors
- Metal bowls equipped with semi-automatic, automatic or manual drains (Modulair 112 range, see page 27)
- Polyamide bowls with protectors for use in solvent-charged environments
- Prefilter/regulator:
 - Adjustment range 0.2 to 3 bar or 0.5 to 12 bar (other values on request)
 - Key locking device for adjustment knob attached to knob, code **662561** (supplied installed, Modulair 107 range) code **662554** (supplied installed, Modulair 112 range). Others options or accessoires, voir page 46
- Equipment for use in potentially **explosive atmospheres** caused by dusts or gases (ATEX Directive 94/9/EC)

zones	Ex classification	gas group	ATEX option code	
			Modulair 107	Modulair 112
2-22	II3GD c T 85°C (T6)	IIA-II-B-IIC	612075	612022
1-21	II2GD c IIC T85°C (T6)	IIC	612065	612063

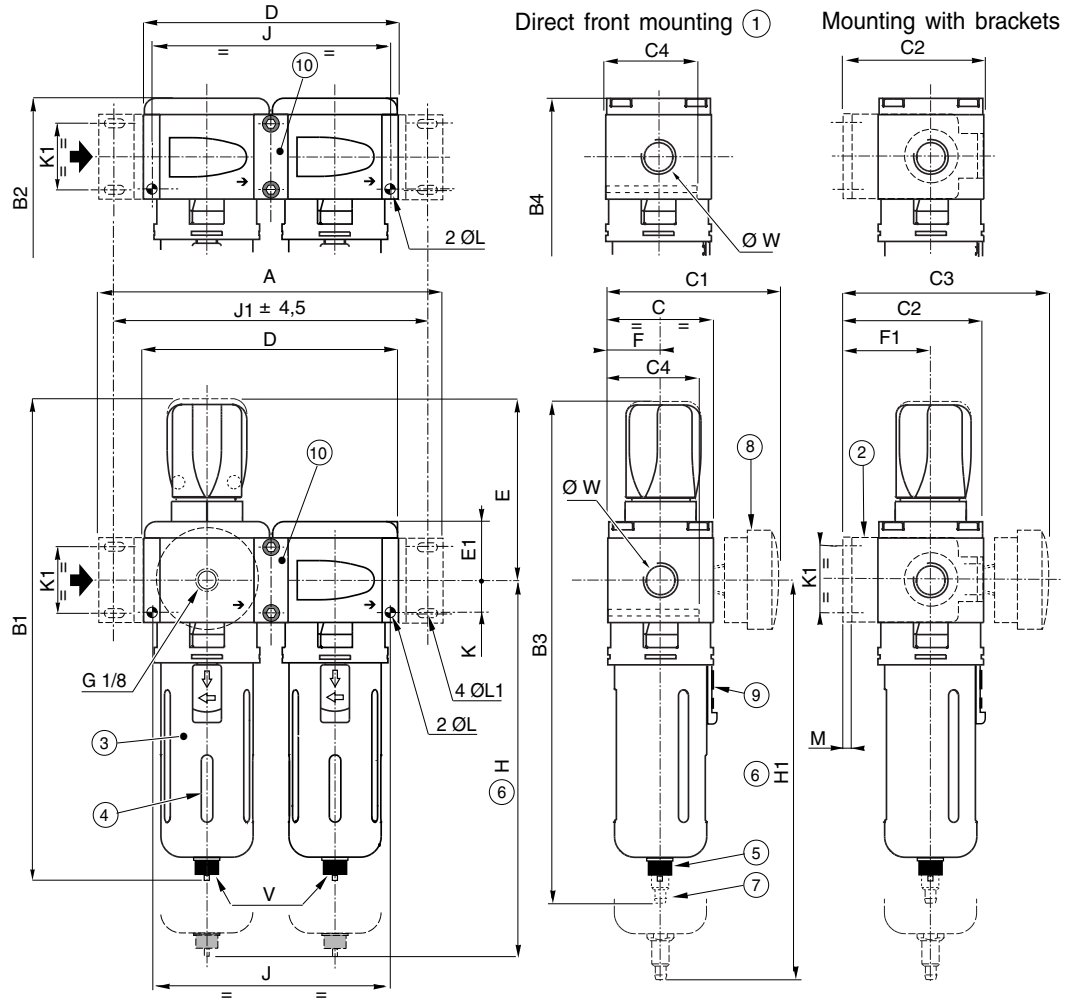


DIMENSIONS AND WEIGHTS

MODULAIR 107 - 112

**PREFILTER
+ SUBMICRON
CLARIFIAIR
FILTER SYSTEM**

**PREFILTER/REGULATOR
+ CLARIFIAIR
SUBMICRON FILTER
SYSTEM**

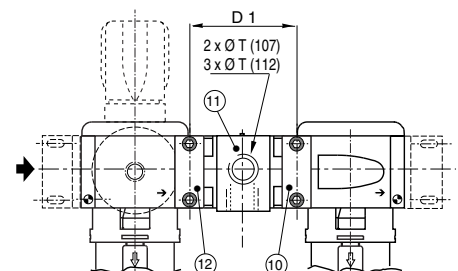


range	Modulair 107	Modulair 112
Ø W	G1/8 G1/4	G1/4 G3/8 G1/2
bowl (cl)	7	12
A	125	178
B1	213	250,5
B2	159,5	191
B3	-	262,5
B4	-	202
C	42	55
C1	76	87
C2	61	73,5
C3	95	105
C4	38	47,5
D	84	132
D1	42	66
E	79	94,5
E1	25,5	65
F	21	27,5
F1	40	46
H	190	221,5
H1	-	232,5
J	74	123
J1	110,5	162
K	10	17
K1	28	33,5
ØL	4,1	5,5
ØL1	4,5	5,5
M	3	4
ØT	G1/8	G3/8
V	G1/8	G1/8

- ① Direct frontal mounting: 2 holes of dia. L and depth C4
- ② Mounting with 2 side brackets (accessory)
- ③ Metal bowl protector with transparent poly carbonate bowl
- ④ Condensate level window (short slot)
- ⑤ G 1/8 connectable semi-automatic drain
- ⑥ Clearance necessary for bowl removal
- ⑦ Automatic drain with fitting for connection of 6 mm ID hose (Modulair 112 range)
- ⑧ 40 mm dia. pressure gauge (Modulair 107 range) or 50 mm dia. pressure gauge (Modulair 112 range)

- ⑨ Protector unlocking button
- ⑩ Special Clariflair assembly kit
- 34304011 (Modulair 107)
- 34303002 (Modulair 112)
- ⑪ By-pass module available as an accessory:
 - Modulair 107 range: 2 air outlets (dia. T) at front and rear, supplied with 1 pre-installed plug.
 - Modulair 112 range: 3 air ports (dia. T) at front, bottom and back, supplied with 2 pre-installed plugs
 Adjustable pressure switch to be fitted on top (for Modulair 107 range, procure the by-pass module designed for pressure switch installation)
 Add the value D1 to dimensions A, D, J and J1 (see below)
 NOTE: To install by-pass module, procure one additional standard assembly kit ⑫
 code: 34304001 (Modulair 107)
 code: 34303001 (Modulair 112)

weight (kg)			
prefilter + clariflair Submicron filter		prefilter/regulator + clariflair Submicron filter	
Modulair 107	Modulair 112	Modulair 107	Modulair 112
0,590 ⁽¹⁾	1,450 ⁽¹⁾	0,690 ⁽¹⁾	1,580 ⁽¹⁾
	1,610 ⁽²⁾		1,740 ⁽²⁾



(1) Weight without pressure gauge
(2) Weight without pressure gauge and with automatic drains