

### FEATURES

- All the exhaust ports of the spool valve are connectable, providing better environmental protection. Particularly recommended for sensitive areas, such as clean rooms, and applications in the pharmaceutical and food processing sectors
- The valves offer environmental protection against the ingress of liquids, dusts or other foreign matter (environmentally-protected construction)
- Solenoid pilot valve with spade-plug connector type DIN 43650, form C with 9,4 mm spacing. Versions with M12 connection
- Solenoid pilot valve, CNOMO size 15 interface, with or without integral LED and electrical protection. LED indicator visible from 3 sides
- The monostable spool valves have TÜV certified IEC 61508 Functional Safety data and can be used up to SIL 4
- The solenoid valves satisfy all relevant EC directives

### GENERAL

**Differential pressure** 2 - 10 bar [1 bar = 100 kPa]  
**Flow (Qv at 6 bar)** 860 l/min (ANR)  
**Pilot mounting interface surface** ISO 15218 (CNOMO E06.36.120N, size 15)

fluids (*)	temperature range (TS)	seal materials (*)
air, inert gas, filtered	- 25°C to + 40°C (4)	VMQ (silicone) + PUR (polyurethane)

(4) -40°C for air operated versions.

### MATERIALS IN CONTACT WITH FLUID

(\*) Ensure that the compatibility of the fluids in contact with the materials is verified

<b>Body, end cover, seats</b>	Brass
<b>Spool valve internal parts</b>	Brass, stainless steel, POM
<b>Pilot body</b>	PAA
<b>Pilot internal parts</b>	POM, PET, stainless steel and brass
<b>Pneumatic interface seal</b>	TPE

### ELECTRICAL CHARACTERISTICS

**Coil insulation class** F  
**Connector (type 05)** Spade plug (cable Ø 6-7 mm)  
**Connector specification** Type 05: DIN 43650, 9,4 mm, form C  
**Connection** Type 07: M12 (CNOMO E03.62.520.N)  
**Electrical safety** IEC 335  
**Electrical enclosure protection** Moulded IP65 [05] or IP67 [07] (EN 60529)  
**Standard voltages** DC (=): 24V  
(Other voltages and 60 Hz on request) AC (~): 24V-115V-230V / 50 Hz (prefix CFSC)

prefix option	power ratings				operator ambient temperature range (TS) (C°)	voltage		type (1)
	inrush ~ (VA)	holding ~ (VA) (W)		hot/cold = (W)		~ (V)	= (V)	
		1,4	1,2					
CFSC	1,8 (2)	1,6 (2)	1,5 (2)	1,15/1,35(2)	-25 to + 60	24-115	24	05
	2,1	1,6	1,5	-	-25 to + 60	230	-	
	2,5 (2)	2 (2)	1,9 (2)	-	-25 to + 50	-	-	
	CFVT (3)	-	-	-	1,15/1,35	-25 to + 60	-	

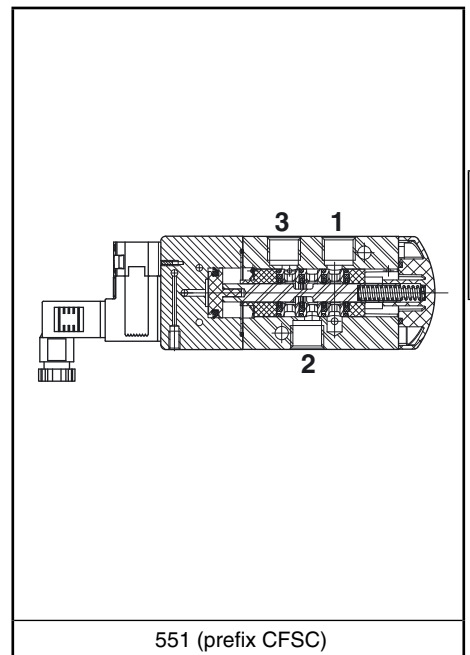
(1) Refer to the dimensional drawings on the following page.

(2) Values with LED indicator and protection, use TPL 20674.

(3) Supplied with LED indicator and protection.

### SPECIFICATIONS

pipe size	orifice size	flow coefficient Kv (m³/h) (l/min)		operating pressure differential (bar)			power coil (W)		catalogue number		options		
				min.	max. (PS)				connector DIN 43650, 9,4 mm (type 05)	M12 (type 07)	maintained man. operator	impulse man. operator	
					~	=							~
<b>NC - Normally closed, solenoid air pilot operated - spring return (monostable)</b>													
1/4	6	0,75	12,5	2	10	10	1,1..1,5	1,2	CFSCG551C507	-	MS	MO	-
							-	1,35	-	CFVTG551C507	MS	MO	-
<b>NC - Normally closed, solenoid air pilot operated and return (bistable)</b>													
1/4	6	0,75	12,5	2	10	10	1,1..1,5	1,2	CFSCG551C508	-	MS	MO	-
							-	1,35	-	CFVTG551C508	MS	MO	-
<b>NC - Solenoid air pilot operated - spring return (monostable), certified IEC 61508 Functional Safety data</b>													
1/4	6	0,75	12,5	2	10	10	1,1..1,5	1,2	CFSCG551C507SL	-	-	MO	-
							-	1,35	-	CFVTG551C507SL	-	MO	-



E

## OPTIONS

- Versions (Type 09): - pilot air operated, spring return, catalogue numbers: **G551A107 / G551A107SL** (1/4)  
- pilot air operated and return, catalogue numbers: **G551A108** (1/4)
- Suffix "**GD**" (air operated only, ATEX 2GD c)
- Explosionproof enclosures for use in zones 0/20-1/21-2/22, categories 1-2-3 to ATEX Directive 94/9/EC (see "Explosionproof Solenoids" section)
- LED and protection, prefix CFSC, use TPL number: TPL 20674 (e.g.: CFSCXG551C507**TPL20674**)
- Straight M12 connector: with 5 m cable length (catalogue number **88130212**)
- Supply rail
- Versions with spade-plug connector type ISO 15217/DIN 43650 form C with 8 mm spacing or with cable ends: contact us
- Other pipe connections are available on request
- Plug with visual indication and peak voltage suppression or with cable length of 2 m (see Solenoids, Coils & Accessories section)

## INSTALLATION

- The solenoid valves can be mounted in any position without affecting operation
- Do not connect the pressure supply to the exhaust port 3. The "environmentally-protected" construction is not adapted for a "distributing" function or use in NO function. Contact us for functions available in specific versions
- It is necessary to connect pipes or fittings to the exhaust ports to protect the internal parts of the spool valve and its pneumatic operator if used outside or in harsh environments (dusts, liquids etc.)
- IEC 61508 Functional Safety (suffix SL), allowable temperature range: -40°C to +60°C. For probability of failure, contact us
- Threaded pipe connection is standard: G = G (ISO 228/1)
- Valves with suffix "SL" are supplied with specific exhaust protectors
- Installation/maintenance instructions are included with each valve

## ACCESSORIES

series	pipe size	exhaust protector (stainless steel)
551	G 1/4	<b>34600419</b> <sup>(1)</sup>
	M5	<b>34600484</b> <sup>(1)</sup>

<sup>(1)</sup> Supplied with suffix "SL".

## ORDERING EXAMPLES:

CFSC	G	551	C	507	230V / 50 Hz	
CFSC	G	551	C	507	SL	115V / 50 Hz
CFVT	G	551	C	508	MS	24V / DC
		G	551	A	107	SL

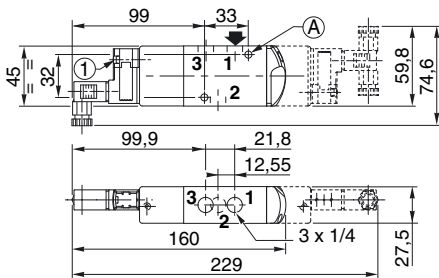
prefix — pipe thread — basic number — voltage — suffix

## DIMENSIONS (mm), WEIGHT (kg)



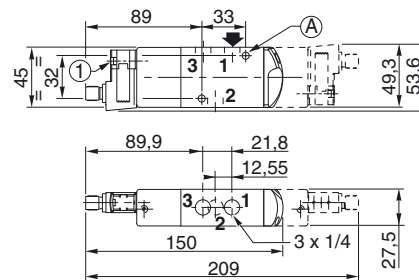
### TYPE 05

Prefixes "CFSC"  
Polyaramide  
IEC 335 / IP65  
DIN 43650, 9,4 mm



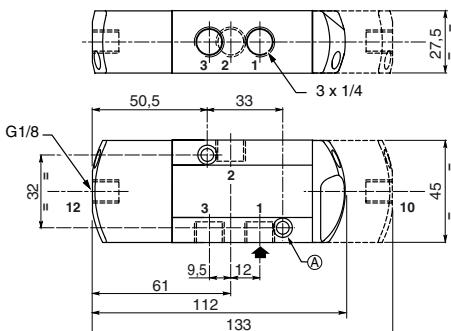
### TYPE 07

Prefix "CFVT"  
Polyaramide  
IEC 335 / IP67  
M12



### TYPE 09

No prefix  
Air operated version  
Use suffix "SL", "GD" or "GDSL"  
IP65



type	prefix option	weight <sup>(2)</sup>	
		monostable	bistable
05	CFSC	0,883	1,091
07	CFVT	0,886	1,097
09	-	0,831	0,987

<sup>(2)</sup> Prefix CFSC: including connector(s).

① Manual operator location  
2 mounting holes:

Ⓐ 5,3 mm dia. (Spotfacing: 9 mm dia., depth 5 mm)