

FEATURES

- Compact design and low weight enabling easy installation on all series 290 & 390 valves with 90 & 125 mm operators
- Manual operator allows an easy installation
- AC/DC interchangeability of the solenoid without disassembly of the valve
- The solenoid valves satisfy all relevant EC Directives

GENERAL

Max. pilot pressure 0 to 10 bar [1 bar = 100 kPa]
Maximum viscosity 40 cSt (mm²/s)
Response time See page V402-7

pilot (series)	fluids (*)	temperature range (TS)	seal materials (*)
374	filtered air and water	- 10°C to + 60°C	NBR (nitrile)
356			

MATERIALS IN CONTACT WITH FLUID

(*) Ensure that the compatibility of the fluids in contact with the materials is verified

	Pilot 374	Pilot 356
Body	Brass or st. steel AISI 316L	Brass or st. steel AISI 316
Core tube	Stainless steel	Stainless steel
Core and plugnut	Stainless steel	Stainless steel
Springs	Stainless steel	Stainless steel
Seats	Brass	Brass
Seals	NBR	FPM
Shading coil	Copper	Copper

ELECTRICAL CHARACTERISTICS

Coil insulation class F
Connector Spade plug (cable Ø 6-10 mm)
Connector specification ISO 4400 / EN 175301-803, form A
Electrical safety IEC 335
Electrical enclosure protection Moulded IP65 (EN 60529)
Standard voltages DC (=) : 24V - 48V
 (Other voltages and 60 Hz on request) AC (-) : 24V - 48V - 115V - 230V / 50 Hz

prefix option	power ratings				operator ambient temperature range (TS) (C°)	replacement coil		type ⁽¹⁾
	inrush ~	holding ~	hot/cold =			~	=	
	(VA)	(VA)	(W)	(W)		230 V/50 Hz	24 V DC	
SC	55	23	10,5	9 / 11,2	-10 to + 60	400425-117	400425-142	01
	10,4	6	3,5	5 / 7	-10 to + 60	43005539	43005533	02

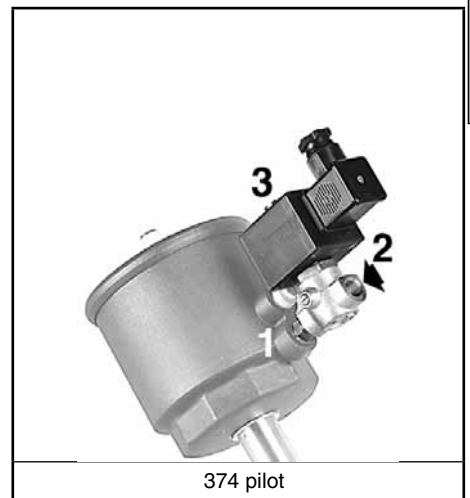
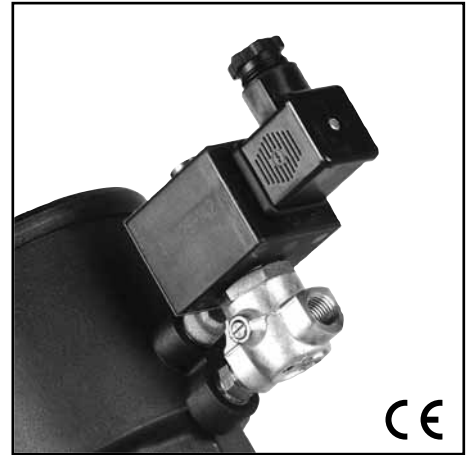
⁽¹⁾ Refer to the dimensional drawings on the following page.

SPECIFICATIONS

pipe size	orifice size		flow coefficient Kv				operating pressure differential (bar)				power coil (W)		catalogue number		
	2→1 (mm)	1→3 (mm)	2→1		1→3		min. ⁽³⁾	max. (PS)		~	=	with maintained manual operator			
			(m ³ /h)	(l/min)	(m ³ /h)	(l/min)		air (*)	water (*)			brass body	stainless steel body		
G							~	=	~	=	~	=	~/=	~/=	
NC - Normally closed, series 374															
1/4	2,7	2,5	0,22	3,6	0,15	2,5	0	10	10	10	10	10,5	11,2	SCE374A098MS ⁽²⁾	SCE374A085MS ⁽²⁾
NC - Normally closed, series 356															
1/4	1,6	1,2	0,08	1,33	0,05	0,8	0	10	10	10	10	3,5	7	SCG356A467VMS ⁽²⁾	SCG356A473VMS ⁽²⁾

⁽²⁾ Solenoid valve with 1/4 adapter.

⁽³⁾ Refer to leaflets on series 290/390 valves which show the minimum pilot pressure for each version of the product.



D

OPTIONS

- Explosionproof enclosures for use in zones 1/21-2/22, categories 2-3 to ATEX Directive 94/9/EC (see "Explosionproof solenoids" section)
- flow control device to fit port 3 (to increase air-operated pilot depressurization time):
M5, catalogue number: **34600380** / 1/8, catalogue number: **34600107**
- 374 pilot: Class H coil
- Plug with visual indication and peak voltage suppression or with cable length of 2 m (see Solenoids, Coils & Accessories section)

INSTALLATION

- The solenoid valves can be mounted in any position without affecting operation
- Pipe connection 1/4 (G*) has standard combination thread according to ISO 228/1 and ISO 7/1. Pipe connection G 1/8 or G 1/4 has standard thread according to ISO 228/1
- Installation/maintenance instructions are included with each valve

SPARE PARTS KIT

catalogue number	spare parts kit no.		
	~	=	maintained manual operator
SCE374A098 MS	C140038	C140037	C140048

ORDERING EXAMPLES:

SC E 374 A 098 MS	230V / 50 Hz
SC G 356 A 467 VMS	24V / DC
catalogue number _____	_____ voltage

ORDERING EXAMPLES KITS:

C140037
basic number _____

DIMENSIONS (mm), WEIGHT



TYPE 01

Prefix "SC" Solenoid (Pilot 374)
Epoxy moulded
IEC 335 / ISO 4400
IP65

SCE374A098MS/085MS

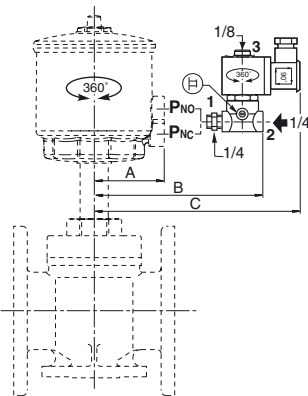
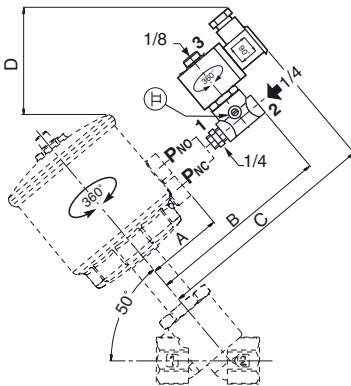


TYPE 02

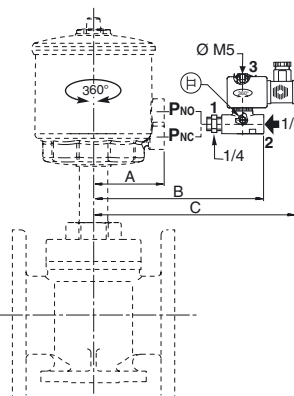
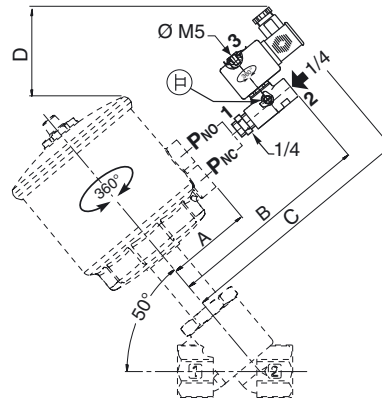
Prefix "SC" Solenoid (Pilot 356)
IEC 335 / ISO 4400
IP65

SCG356A467VMS/473VMS

90 and 125 mm operators



90 and 125 mm operators



type	prefix option	pilot	operator diameter	A	B	C	D		pilot inlet		weight ⁽¹⁾
							NC	NO	NC	NO	
01	SC	374 series	90 mm	67	128	166	72	91	P _{NC}	P _{NO}	0,530
			125 mm	86	147	185	123	142			
02	SC	356 series	90 mm	67	119	147	44	63	P _{NC}	P _{NO}	0,253
			125 mm	86	138	166	95	114			

⁽¹⁾ including adapter connection, coil and connector.