

PANEL MOUNTED "IN LINE" FLOW REGULATORS

FLUID :

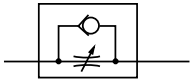
Air or neutral gas, filtered, lubricated or not

OPERATING PRESSURE : 1 to 10 bar

TEMPERATURE : - 10° C, + 60° C

CONSTRUCTION :

Body in aluminium
Seals in nitrile (NBR)

	
Connection Ø	CODES
Ø M5	34602010
G 1/8	34602152
G 1/4	34602153
G 3/8	34602154
G 1/2	34602155
G 3/4	34600156



BANJO FLOW REGULATOR, ADAPTABLE ON CYLINDER

FLUID :

Air or neutral gas, filtered, lubricated or not

OPERATING PRESSURE : 1 to 10 bar


TEMPERATURE : 0° C, + 70° C

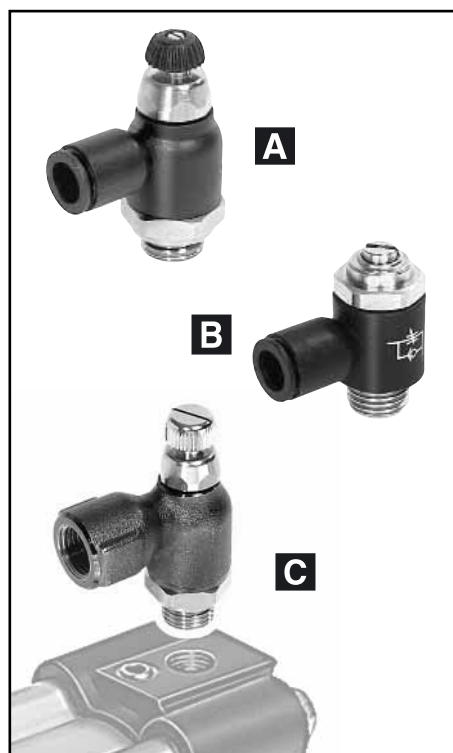
Banjo connection for **direct** fitting to cylinder port for simple, compact installation.

Version (B) with a recessed adjustment screw is an even more compact design. It offers the additional advantage of preventing inadvertent loss of flow adjustment. Can be locked with a spot of varnish.

CONSTRUCTION :

Body in polymer (A - B)
or brass treated (version C)
Screw, lock-nut, subbase in brass
Seals in nitrile (NBR)

		
Installation Ø	Ø connection by instant fittings	CODES
A Plastic body, adjustable by button/screw		
Ø M5	Ø 4 mm ext.	34602188
G 1/8	Ø 4 mm ext.	34602221
G 1/8	Ø 6 mm ext.	34602222
G 1/4	Ø 6 mm ext.	34602223
G 1/4	Ø 8 mm ext.	34602224
G 3/8	Ø 10 mm ext.	34602021
G 1/2	Ø 12 mm ext.	34602022
B Plastic body, adjustable by screw recessed		
Ø M5	Ø 4 mm ext.	34602016
G 1/8	Ø 4 mm ext.	34602017
G 1/8	Ø 6 mm ext.	34602018
G 1/4	Ø 6 mm ext.	34602019
G 1/4	Ø 8 mm ext.	34602020
Installation Ø	Ø connection tapped	CODES
C Metal body, tapped output, adjustable by button/screw		
G 1/8	G 1/8	34602181
G 1/4	G 1/4	34602182
G 3/8	G 3/8	34602183



SPEED CONTROL SILENCER

FLUID :


Air or neutral gas, filtered, lubricated or not

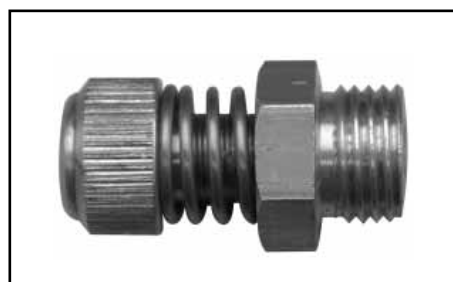
OPERATING PRESSURE : 0,5 - 10 bar

TEMPERATURE : -20°C; +70°C

CONSTRUCTION :

Body brass
Spring stainless steel
Seals nitrile rubber (NBR)

	
Connection Ø	CODES
G 1/8	SE10RM
G 1/4	SE25RM



EXHAUST REGULATOR + SILENCER

FLUID :

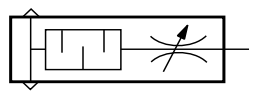
Air or neutral gas, filtered, lubricated or not

OPERATING PRESSURE : 0 to 10 bar

TEMPERATURE : - 10°C; + 80°C

CONSTRUCTION :

Body in polymer
Silencer part in porous plastic

	
Connection Ø	CODES
G 1/8	34600413
G 1/4	34600414
G 3/8	34600415
G 1/2	34600416

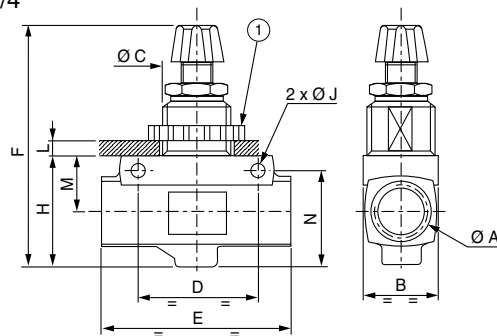
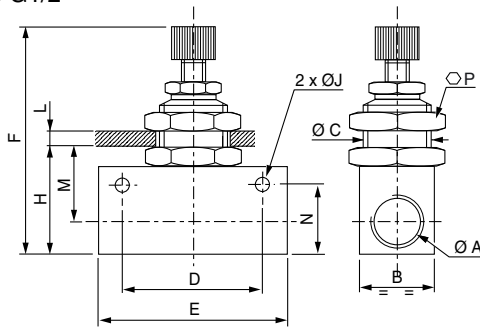


DIMENSIONS AND WEIGHTS

PANEL-MOUNTED "IN-LINE" FLOW REGULATORS

■ M5 to G1/2

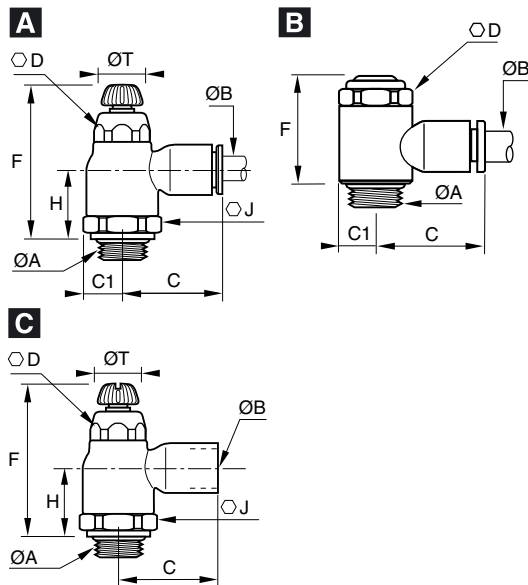
■ G3/4



CODES	Ø A	B	Ø C	D	E	F min.	F max.	H	Ø J	L max.	M	N	Ø P	Weight (kg)
34602010	M5	12	M9 x 0,75	18	25	32	37	17	3,2	3	10	12	11	0,019
34602152	G 1/8	16	M12 x 0,75	24	34	49	56	24	4,5	6	16	16	15	0,060
34602153	G 1/4	25	M18 x 1,5	35	50	67	75	35	6,5	7,5	23	25	22	0,140
34602154	G 3/8	25	M18 x 1,5	40	58	67	75	35	6,5	7,5	23	25	22	0,245
34602155	G 1/2	30	M22 x 1,5	50	65	80	92	46	6,5	10	29	33	26	0,360
34600156	G 3/4	39	M37 x 2	70	110	119	132	58	6,5	15,5	28	51	-	0,550

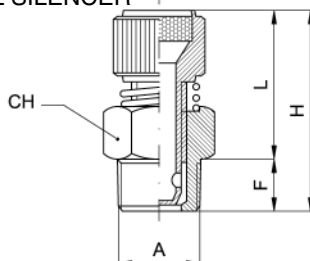
① Knurled nut

BANJO FLOW REGULATOR, ADAPTABLE ON CYLINDER



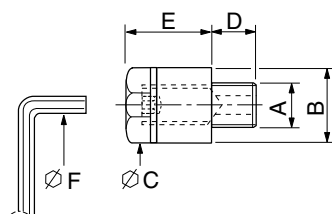
CODES	Ø A	Ø B	C	C1	D	F min.	F max.	H	J	Ø T	Weight
A Plastic body, instant fittings output, adjustable by button/screw											
34602188	M 5	4	17	4,5	6	23,5	26	-	-	-	0,008
34602221	G 1/8	4	22	9	10	38	44	16	16	10	0,021
34602222	G 1/8	6	22	9	10	38	44	16	16	10	0,021
34602223	G 1/4	6	22	9	10	36,5	42,5	15	16	10	0,021
34602224	G 1/4	8	28	10,5	14	41,5	48	18,5	19	12	0,037
34602021	G 3/8	10	32	12,5	17	45,5	54	20	23	17	0,059
34602022	G 1/2	12	35	13	17	45,5	54	20	24	17	0,065
B Plastic body, instant fittings output, adjustable by screw recessed											
34602016	M 5	4	19	5	8	17,5	19	-	-	-	0,007
34602017	G 1/8	4	19	7	13	25	26	-	-	-	0,017
34602018	G 1/8	6	21	7	13	25	26	-	-	-	0,019
34602019	G 1/4	6	22	9,5	17	26,5	28	-	-	-	0,034
34602020	G 1/4	8	27	9,5	17	26,5	28	-	-	-	0,035
C Metal body, tapped output, adjustable by button/screw											
34602181	G 1/8	G1/8	22,5	-	10	47	52,5	23	19	-	0,076
34602182	G 1/4	G1/4	32	-	14	50,5	55,5	25	19	-	0,107
34602183	G 3/8	G3/8	34,5	-	17	56	62	27	25	-	0,212

SPEED CONTROL SILENCER



CODES	F	L		H		CH	A
		min.	max.	min.	max.		
SE10RM	6	20	22	26	28	13	G1/8
SE25RM	8	22	24	30	32	15	G1/4

EXHAUST REGULATOR + SILENCER



CODES	Ø A	Ø B	Ø C	D	E	Ø F	Weight (kg)
34600413	G1/8	15	13	6	14,5	2,5	0,005
34600414	G1/4	18	15	7	22	4	0,010
34600415	G3/8	24	20	8	30	6	0,030
34600416	G1/2	30	25	10	40	8	0,050