

### FEATURES

- Rugged forged brass bodied solenoid valves designed to provide maximum flow
- Solenoid valves have poppet type seats and discs to provide tight sealing
- Main valve discs are power driven in both directions by line pressure ( $\Delta P$  min. 0,7/1,7 bar)
- The solenoid valves satisfy all relevant EC directives

### GENERAL

**Differential pressure** See «SPECIFICATIONS» [1 bar =100 a]  
**Maximum viscosity** 65 cSt (mm<sup>2</sup>/s)  
**Response time** 100 - 1000 ms

fluids (*)	temperature range (TS)	seal materials (*)
air, inert gas, water, oil	- 20°C to + 85°C	NBR (nitrile)

### MATERIALS IN CONTACT WITH FLUID

(\*) Ensure that the compatibility of the fluids in contact with the materials is verified

<b>Body</b>	Brass
<b>Core tube</b>	Stainless steel
<b>Core and plugnut</b>	Stainless steel
<b>Core spring</b>	Stainless steel
<b>Seat</b>	Brass
<b>Seals</b>	NBR
<b>Discs and poppets</b>	NBR
<b>Discs holders</b>	POM
<b>Pilot cartridge</b>	POM
<b>Shaft gasket</b>	Copper alloy
<b>Shading coil</b>	Copper

### ELECTRICAL CHARACTERISTICS

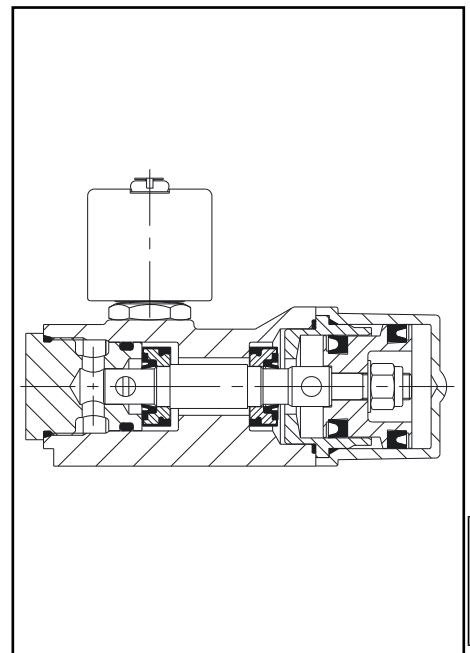
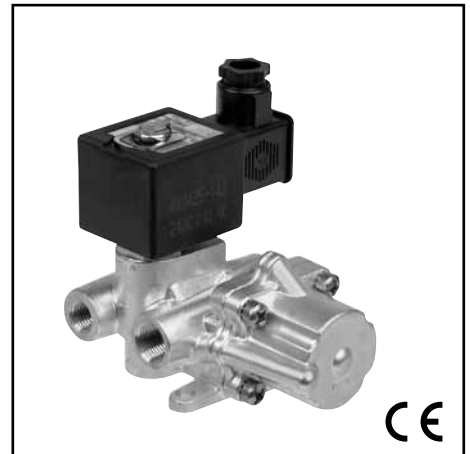
**Coil insulation class** F  
**Connector** Spade plug (cable Ø 6-10 mm)  
**Connector specification** ISO 4400 / EN 175301-803, form A  
**Electrical safety** IEC 335  
**Electrical enclosure protection** Moulded IP65 (EN 60529)  
**Standard voltages** DC (=) : 24V - 48V  
 (Other voltages and 60 Hz on request) AC (~) : 24V - 48V - 115V - 230V / 50 Hz

prefix option	power ratings				operator ambient temperature range (TS) (C°)	replacement coil		type <sup>(1)</sup>
	inrush ~	holding ~		hot/cold =		~	=	
		(VA)	(VA)					
SC	55	23	10,5	9/11,2	-20 to + 75	400425-117	400425-142	01
	78	35	16,7	-	-20 to + 50	400425-217	-	01
	-	-	-	12/16,8	-20 to + 75	-	400625-142	02

<sup>(1)</sup> Refer to the dimensional drawings on the following page.

### SPECIFICATIONS

pipe size	exhaust pipe size	orifice size	flow coefficient Kv		operating pressure differential (bar)						power coil (W)		catalogue number	options				
					min.			max. (PS)						maintained man. operator	FPM			
					air/water (*)	oil (*)	air (*)	water (*)	oil (*)									
NPT	NPT	(mm)	(m <sup>3</sup> /h)	(l/min)	~	=	~	=	~	=	~	=	~/=					
<b>Solenoid pilot operated - air differential return (monostable)</b>																		
1/4	3/8	6,4	0,7	11,6	0,7	1,7	9	9	9	9	9	9	10,5	11,2	SCB344A070	MO	V	-
							17	17	17	17	17	17	17	16,7	16,8	SCB344B000	MO	V
3/8	3/8	6,4	0,7	11,6	0,7	1,7	17	17	17	17	17	17	16,7	16,8	SCB344B001	MO	V	-
	1/2	9,5	1,9	31,6	0,7	1,7	9	9	9	9	9	9	10,5	11,2	SCB344A072	MO	V	-
1/2	1/2	9,5	1,9	31,6	0,7	1,7	17	17	17	17	17	17	16,7	16,8	SCB344C025	MO	V	-
							9	9	9	9	9	9	9	10,5	11,2	SCB344A074	MO	V
3/4	1	19	4,8	80	0,7	1,7	17	17	17	17	17	17	16,7	16,8	SCB344C027	MO	V	-
							9	9	9	9	9	9	9	10,5	11,2	SCB344A076	MO	-
1	1	19	4,8	80	0,7	1,7	17	17	17	17	17	17	16,7	16,8	SCB344B029	MO	-	-
							9	9	9	9	9	9	9	10,5	11,2	SCB344A078	MO	-
							17	17	17	17	17	17	16,7	16,8	SCB344B031	MO	-	-



G

### OPTIONS

- Valves can also be supplied with FPM (fluoroelastomer) seals and discs. Use the appropriate optional suffix letter for identification
- Waterproof enclosure with embedded screw terminal coil according to protection class IP67, CEE-10
- Explosionproof enclosures for use in zones 1/21-2/22, categories 2-3 to ATEX Directive 94/9/EC (see "Explosionproof solenoids" section)
- Electrical enclosures according to "NEMA" standards are available
- Compliance with "UL", "CSA" and other local approvals available on request
- Bistable function and special valves are available for dry-air gas, continuous cycling, clickless and quiet operation
- Other pipe connections are available on request
- Plug with visual indication and peak voltage suppression or with cable length of 2 m (see Solenoids, Coils & Accessories section)

### INSTALLATION

- The solenoid valves can be mounted in any position without affecting operation
- Important: A minimum operating pressure differential must be maintained between the pressure and exhaust ports. Supply and exhaust piping must be full area and unrestricted
- Solenoid valves have 2 mounting holes in body
- Pipe connection identifier is B = NPT (ANSI 1.20.3)
- Installation/maintenance instructions are included with each valve

### SPARE PARTS KIT

catalogue number	spare parts kit no.	
	~	=
SCB344A070	C302709	C302731
SCB344B000/B001	C302710	C302732
SCB344A072/A074	C302711	C302733
SCB344C025/C027	C302712	C302734
SCB344A076/A078	C302713	C302735
SCB344B029/B031	C302714	C302736

(1) Standard prefixes/suffixes are also applicable to kits.  
 - Not available

### ORDERING EXAMPLES:

SC	B	344	A	070	230V / 50 Hz
SC	B	344	C	025	MO 115V / 50 Hz
SC	B	344	C	027	V 24V / DC
SC	B	344	B	031	230V / 50 Hz

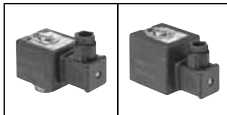
prefix      pipe thread      basic number      voltage      suffix

### ORDERING EXAMPLES KITS:

C302-731 <sup>(1)</sup>	
C302-711	V
C302-735	

basic number      suffix

### DIMENSIONS (mm), WEIGHT (kg)

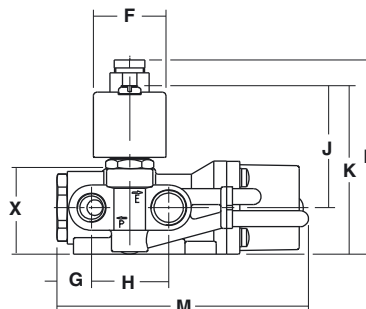
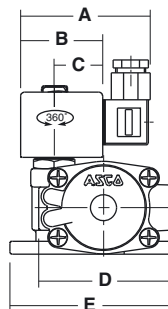
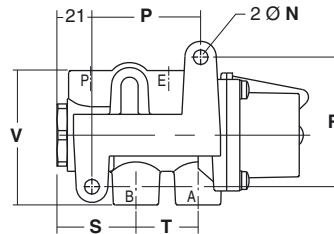


**TYPE 01-02**  
 Prefix "SC" Solenoid  
 Epoxy moulded  
 IEC 335 / ISO 4400  
 IP65

Type 01: AC/DC: SCB344A070/072/074/076/078

AC: SCB344B000/B001/C025/C027/B029/B031

Type 02: DC: SCB344B000/B001/C025/C027/B029/B031



type	prefix option	catalogue number	A	B	C	D	E	F	G	H	J	K	L	M	N	P	R	S	T	V	X	weight <sup>(2)</sup>
01	SC	SCB344A070	80	50	30	80	108	45	18	36	79	103	120	121	7,1	48	61	40	28	80	54	2,4
		SCB344A072/074	80	50	30	81	98	45	21	38	74	102	119	154	8,6	67	79	48	38	81	53	4,4
		SCB344A076/078	80	50	30	116	120	45	38	54	83	123	140	210	8,6	99	97	66	53	116	74	8,5
		SCB344B000/001 (-)	80	50	30	80	108	45	18	36	79	103	120	121	7,1	48	61	40	28	80	54	2,4
		SCB344B025/027 (-)	80	50	30	81	98	45	21	38	74	102	119	154	8,6	67	79	48	38	81	53	4,4
		SCB344B029/031 (-)	80	50	30	116	120	45	38	54	83	123	140	210	8,6	99	97	66	53	116	74	8,5
02	SC	SCB344B000/001 (=)	86	56	33	80	111	50	18	36	86	110	110	121	7,1	48	61	40	26	80	53	4,5
		SCB344C025/027 (=)	86	56	33	81	96	50	21	38	81	109	109	154	8,6	67	79	48	38	81	52	8,5
		SCB344B029/031 (=)	86	56	33	116	120	50	38	54	90	130	130	210	8,6	99	97	66	53	116	73	8,6

(2) including coil and connector.

All leaflets are available on: [www.asconumatics.eu](http://www.asconumatics.eu)