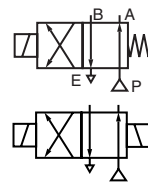




SOLENOID VALVES

direct operated, slide disc
single/dual solenoid (mono/bistable function)
1/4 - 3/8



4/2
Series
342

FEATURES

- Brass bodied 4/2 slide disc valves, single or dual solenoid, ideally suited to control double acting cylinders
- Solenoid valves with integrated pilot and slide disc mechanism
- Direct lift solenoid valves have spring loaded sliding resilient for absolute tight shut-off
- The solenoid valves satisfy all relevant EC Directives

GENERAL

Differential pressure See "SPECIFICATIONS" [1 bar =100 kPa]
Maximum viscosity 65 cSt (mm²/s)
Response times 20 - 40 ms

fluids (*)	temperature range (TS)	seal materials (*)
air, inert gas, water, oil	- 20°C to + 70°C	NBR (nitrile)

MATERIALS IN CONTACT WITH FLUID

(*) Ensure that the compatibility of the fluids in contact with the materials is verified

Body	Brass
Core tube	Stainless steel
Core and plugnut	Stainless steel
Core spring	Stainless steel
Seat	PTFE - reinforced
Seals	NBR
Discs	NBR
Slide	PA
Slide cups	FPM
Shading coil	Copper

ELECTRICAL CHARACTERISTICS

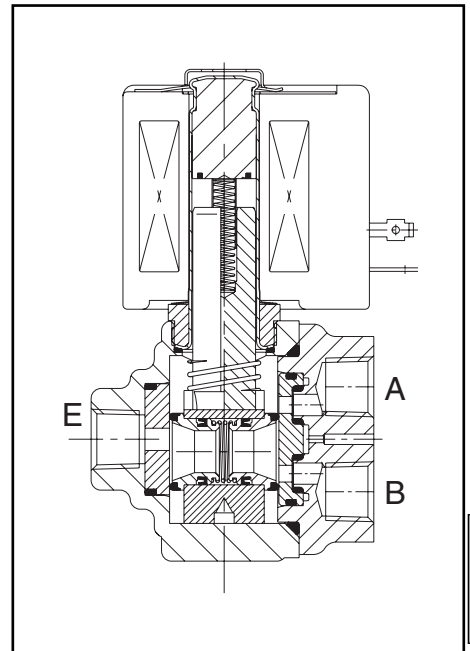
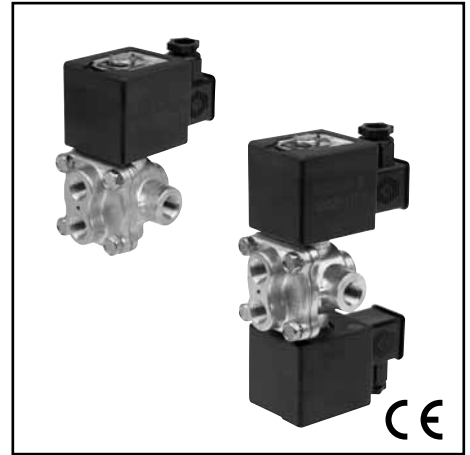
Coil insulation class F
Connector Spade plug (cable Ø 6-10 mm)
Connector specification ISO 4400 / EN 175301-803, form A
Electrical safety IEC 335
Electrical enclosure protection Moulded IP65 (EN 60529)
Standard voltages AC (~) : 24V - 48V - 115V - 230V / 50 Hz
 (Other voltages and 60 Hz on request)

prefix option	power ratings				operator ambient temperature range (TS) (C°)	replacement coil		type ⁽¹⁾
	inrush ~ (VA)	holding ~ (W)		= (W)		~ 230 V/50 Hz	= -	
		(VA)	(W)					
SC	110	33,6	15,4	-	-20 to + 75	400525-117	-	01
	240	43	20	-	-20 to + 50	400525-217	-	

⁽¹⁾ Refer to the dimensional drawings on the following page.

SPECIFICATIONS

pipe size	orifice size	flow coefficient Kv		operating pressure differential (bar)						power coil (W)		catalogue number	options			
				min.	max. (PS)								maintained man. operator	FPM		
					air (*)	water (*)		oil (*)								
NPT	(mm)	(m ³ /h)	(l/min)	~	=	~	=	~	=	~	=	~	MS	V	-	
Solenoid pilot operated - spring return (monostable)																
1/4	4,8	0,6	9,9	0	9	-	7	-	7	-	20	-	SCB342C001	MS	V	-
3/8	4,8	0,6	9,9	0	9	-	7	-	7	-	20	-	SCB342C003	MS	-	-
Solenoid pilot operated and return (bistable)																
1/4	4,8	0,05	0,8	0	9	-	9	-	9	-	15,4	-	SCB342C020	-	V	-
3/8	4,8	0,18	3	0	9	-	9	-	9	-	15,4	-	SCB342C022	-	-	-



G

OPTIONS

- Valves can also be supplied with FPM (fluoroelastomer) seals and discs. Use the appropriate optional suffix letter for identification
- Waterproof enclosure with embedded screw terminal coil according to protection class IP67, CEE-10
- Explosionproof enclosures for use in zones 1/21-2/22, categories 2-3 to ATEX Directive 94/9/EC (see "Explosionproof solenoids" section)
- Electrical enclosures according to "NEMA" standards are available
- Compliance with "UL", "CSA" and other local approvals available on request
- Adjustable flow controls
- Other pipe connections are available on request
- Plug with visual indication and peak voltage suppression or with cable length of 2m (see Solenoids, Coils & Accessories section)

INSTALLATION

- The solenoid valves can be mounted in any position without affecting operation
- Solenoid valves have 2 mounting holes in body
- Pipe connection identifier is B = NPT (ANSI 1.20.3)
- Installation/maintenance instructions are included with each valve

SPARE PARTS KIT

catalogue number	spare parts kit n°.	
	~	=
SCB342C001/003	C306191	-
SCB342C020/022	C306193	-

⁽¹⁾ Standard prefixes/suffixes are also applicable to kits.
 - Not available

ORDERING EXAMPLES:

SC	B	342	C	001	230V / 50 Hz
SC	B	342	C	003	MS 115V / 50 Hz
SC	B	342	C	020	V 48V / 50 Hz
SC	B	342	C	022	230V / 50 Hz

prefix | pipe thread | basic number | voltage | suffix

ORDERING EXAMPLES KITS:

C306191 ⁽¹⁾	V
C306193	
C306193	

basic number | suffix

DIMENSIONS (mm), WEIGHT (kg)

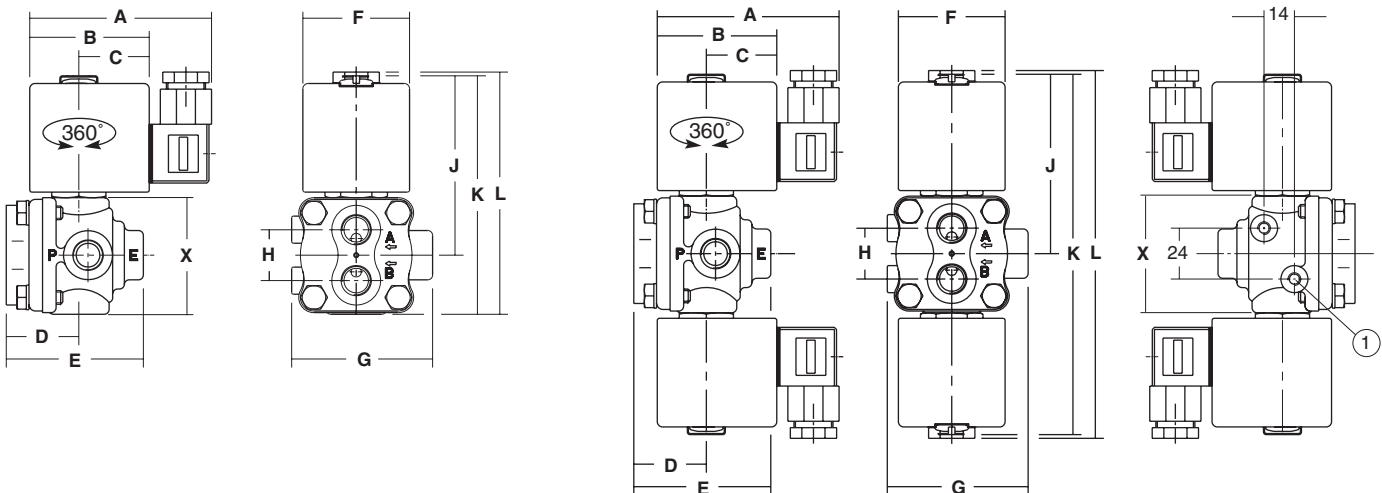


TYPE 01

Prefix "SC" Solenoid
 Epoxy moulded
 IEC 335 / ISO 4400
 IP65

SCB342C001/003

SCB342C020/022



type	prefix option	catalogue number	A	B	C	D	E	F	G	H	J	K	L	X	weight ⁽²⁾
01	SC	SCB342C001/003	86	56	33	30	64	50	66	24	84	111	117	55	1,2
		SCB342C020/022	86	56	33	30	64	50	66	24	84	167	166	51	1,7

① 2 mounting holes Ø M4, depth 6 mm

⁽²⁾ including coil and connector.

All leaflets are available on: www.asconumatics.eu