

### FEATURES

- Balanced poppet-type solenoid valves recommended for applications with high flow rates, wide pressures ranges and no minimum operating pressure
- Special execution for low ambient and fluid temperatures
- Special rider rings eliminate sticking and provide exceptional service life
- The valves are certified according to IEC 61508 Functional Safety data and have SIL-4 capability (TUV approval) and SIL-3 capability (EXIDA approval)
- The solenoid valves satisfy all relevant EC directives

### GENERAL

Differential pressure 0 - 10 bar [1 bar = 100 kPa]  
Maximum viscosity 65 cSt (mm<sup>2</sup>/s)  
Response time < 100 ms

fluids (*)		temperature range (TS)	seal materials (*)
5,7 mm	air, inert gas, water, oil	- 20°C to + 120°C	FPM (fluoroelastomer)
		- 40°C to + 40°C	VMQ (silicone)
		- 50°C to + 60°C	(F)VMQ ((fluoro)silicone)
12 mm	air, inert gas	- 25°C to + 60°C	NBR (nitrile)
		- 10°C to + 90°C	FPM (fluoroelastomer)
		- 50°C to + 60°C	(F)VMQ ((fluoro)silicone)

### MATERIALS IN CONTACT WITH FLUID

(\*) Ensure that the compatibility of the fluids in contact with the materials is verified

Body Brass or stainless steel AISI 316L  
Stem, core tube Stainless steel  
Core and plunger Stainless steel  
Springs Stainless steel  
Seals & poppets Ø 5,7 mm: FPM or VMQ or (F)VMQ  
Ø 12 mm: NBR or FPM or (F)VMQ  
Rider ring PTFE

### ELECTRICAL CHARACTERISTICS

Coil insulation class H (Ø5,7 mm) or F (Ø12 mm)  
Connector Spade plug (cable Ø 6-10 mm)  
Connector specification ISO 4400 / EN 175301-803, form A  
Electrical safety IEC 335  
Electrical enclosure protection Moulded IP65 (EN 60529)  
Standard voltages DC (=) : 24V - 48V  
AC (~) : 24V - 48V - 115V - 230V<sup>(2)</sup> / 50 Hz  
(Other voltages and 60 Hz on request)

prefix option	power ratings				operator ambient temperature range (TS) (C°)	replacement coil		type <sup>(1)</sup>
	inrush	holding		hot/cold		~	=	
	~	~	=	=				
(VA)	(VA)	(W)	(W)	(C°)	230 V/50 Hz	24 V DC		
SC	10	10	10	9 / 11,2	-40 to + 55	123664-017	400425-142	01
	3,7	3,7	3,7	3,2 / 3,6	-40 to + 55	400923-042	400923-042	02
	10	10	10	9 / 10	-40 to + 60	400924-197	400923-342	02
	14,1	14,1	14,1	11 / 14	-40 to + 90	400924-697	400923-642	02

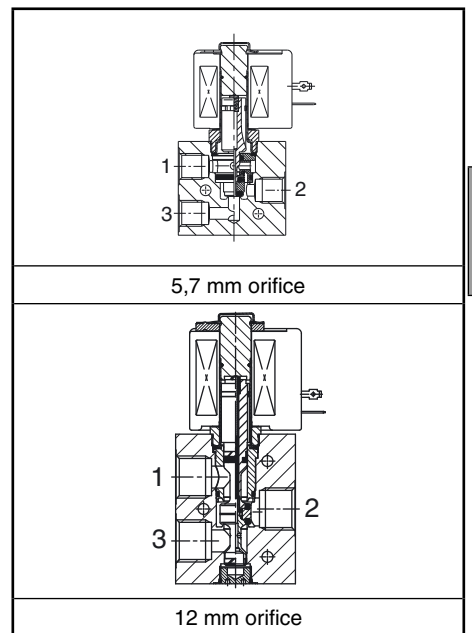
<sup>(1)</sup> Refer to the dimensional drawings on the following page.

<sup>(2)</sup> 3,7 W: Limited to max. 115 V / 50 Hz; Replacement coil 115 V/50 Hz: 400924-098

### SPECIFICATIONS

pipe size	orifice size	flow coefficient Kv		operating pressure differential (bar)				power coil (W)		catalogue number		options				
				min.	max. (PS)							maintained man. operator	impulse man. operator			
					air (*)	water(*)										
(mm)	(m <sup>3</sup> /h)	(l/min)	~	=	~	=	~	=	brass	stainless steel	~	=	~	=		
<b>U - Universal, FPM seals and poppets</b>																
1/4	5,7	0,45	7,5	0	10	10	10	10	10	11,2	SCG327B001	SCG327B002	MS <sup>(3)</sup>	MO	-	-
	12	1,5	25	0	10	10	-	-	14,1	14	SCG327A649	SCG327A650	MS <sup>(3)</sup>	MO	-	-
1/2	12	1,5	25	0	10	10	-	-	14,1	14	SCG327A609	SCG327A610	MS <sup>(3)</sup>	MO	-	-
<b>U - Universal, NBR seals and poppets</b>																
1/4	12	1,5	25	0	10	10	-	-	10	10	SCG327A647	SCG327A648	MS <sup>(3)</sup>	MO	-	-
1/2											SCG327A607	SCG327A608	MS <sup>(3)</sup>	MO	-	-
<b>U - Universal, VMQ seals and poppets</b>																
1/4	5,7	0,45	7,5	0	10	10	10	10	10	11,2	SCG327B011	SCG327B012	MS <sup>(3)</sup>	MO	-	-
<b>U - Universal, (F)VMQ seals and poppets</b>																
1/4	5,7	0,45	7,5	0	10	10	10	10	3,7	3,6	SCG327B111	SCG327B112	MS <sup>(3)</sup>	MO	-	-
	12	1,5	25	0	10	10	-	-	10	10	SCG327A645	SCG327A646	MS <sup>(3)</sup>	MO	-	-
	1/2	12	1,5	25	0	10	10	-	-	10	10	SCG327A605	SCG327A606	MS <sup>(3)</sup>	MO	-

<sup>(3)</sup> Functional Safety certification is not applicable with this feature.



E

### OPTIONS

- Waterproof enclosure with embedded screw terminal coil according to protection class IP67, CEE-10
- Explosionproof enclosures for use in zones 1/21-2/22, categories 2-3 to ATEX Directive 94/9/EC (see "Explosionproof solenoids" section)
- Electrical enclosures according to "NEMA" standards are available
- Compliance with "UL", "CSA" and other local approvals available on request
- 3/8" pipe thread executions are available on request
- Manual reset construction
- Stainless steel exhaust protector for valves certified to IEC 61508 Functional Safety, catalogue number: **34600419** (G1/4) or **34600479** (G1/2)
- Other pipe connections are available on request
- Plug with visual indication and peak voltage suppression or with cable length of 2 m (see Solenoids, Coils & Accessories section)

### INSTALLATION

- The solenoid valves can be mounted in any position without affecting operation
- Solenoid valves have 2 or 3 mounting holes in body
- Pipe connection identifier is G = G (ISO 228/1)
- Installation/maintenance instructions are included with each valve

### SPARE PARTS KIT

catalogue number	spare parts kit no.
SCG327B001/002	<b>C123670</b>
SCG327B011/012	<b>C131237</b>
SCG327B101/102	<b>C132251</b>
SCG327B111/112	<b>C132253</b>
SCG327A605/606/645/646	<b>C117638</b>
SCG327A607/608/647/648	<b>C117640</b>
SCG327A609/610/649/650	<b>C117640V</b>

<sup>(1)</sup> Standard prefixes/suffixes are also applicable to kits.

### ORDERING EXAMPLES:

SC	G	327	B	001	230V / 50 Hz
SC	G	327	B	101	MS 115V / 50 Hz
SC	G	327	A	647	24V / DC
SC	G	327	B	002	MO 230V / 50 Hz

prefix      pipe thread      basic number      voltage      suffix

### ORDERING EXAMPLES KITS:

C123669 <sup>(1)</sup>	
C132251	
C132640	V

basic number      suffix

### DIMENSIONS (mm), WEIGHT (kg)



#### TYPE 01-02

Prefix "SC" Solenoid  
Epoxy moulded  
IEC 335 / ISO 4400  
IP65

Type 01: SCG327B001/002/011/012

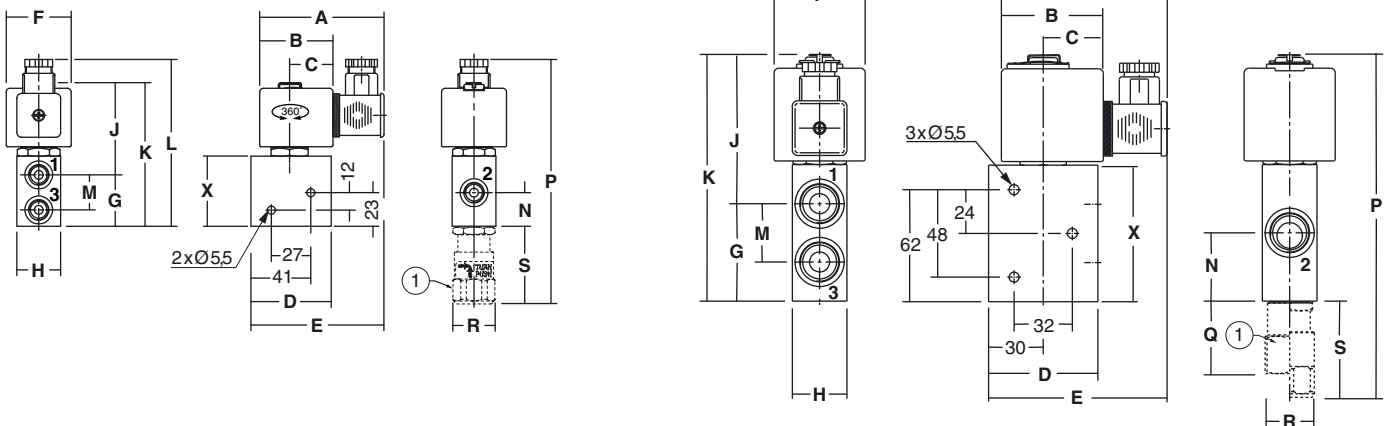
Type 02: SCG327B101/102/111/112



#### TYPE 02

Prefix "SC" Solenoid  
Epoxy moulded  
IEC 335 / ISO 4400  
IP65

SCG327A605/606/607/608/609/610/645/646/647/648/649/650



<sup>(1)</sup> Manual operator location (Type MO/MS)

type	prefix option	catalogue number	A	B	C	D	E	F	G	H	J	K	L	M	N	P	Q	R	S	X	weight <sup>(2)</sup>
01	SC	SCG327B001/002/011/012	86	50	30	55	88	45	35	30	55	90	114	24	23	167	-	29	54	48	0,95
02	SC	SCG327B101/102/111/112	92	56	33	55	91	50	35	30	74	109	108	24	23	162	-	29	54	48	1,05
		SCG327A605/606/607/608/609/610/645/646/647/648/649/650	92	56	33	60	100	50	54	30	81	135	-	32	38	189	40	29	54	76	1,6

<sup>(2)</sup> including coil and connector.