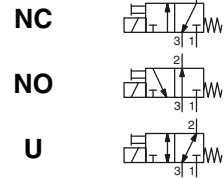




MINI-SOLENOID VALVES

ISO 15218 (CNOMO, size 15) interface
direct operated, pad mounting body
connector size 15



3/2
Series
302

FEATURES

- Compact, monobloc solenoid pilot valve with spade-plug connector type DIN 43650, form C, with 9,4 mm spacing, or to ISO 15217/DIN 43650 form C, with 8 mm spacing
- Version with or without integrated LED and electrical protection
LED indicator visible from 3 sides
- The solenoid valves satisfy all relevant EC directives

GENERAL

Differential pressure
Pneumatic base
Connection
Response time

See «SPECIFICATIONS» [1 bar = 100 kPa]
ISO 15218 (CNOMO E06.36.120N, size 15)
Subbase
8 - 15 ms

| fluids (*) | temperature range (TS) | seal materials (*) |
|--|---|--|
| air or inert gas filtered at 50 µm, lubricated or not | - 10°C to + 50°C (LP1) ⁽¹⁾ | NBR (nitrile) FPM (fluoroelastomer) |
| | - 25°C to + 60°C (LP2) ⁽¹⁾ | |
| | - 25°C to + 60°C / +50°C (LP3) ⁽¹⁾ | |

⁽¹⁾ LP1, LP2, LP3: see "electrical characteristics" table

MATERIALS IN CONTACT WITH FLUID

(*) Ensure that the compatibility of the fluids in contact with the materials is verified

Body PAA
Internal parts POM, PET, stainless steel and brass
Seals NBR (disc), FPM (others)
Pneumatic interface seal TPE

OTHER MATERIALS

Coil Thermoplastic PET

ELECTRICAL CHARACTERISTICS

Coil insulation class F
Connector Spade plug (cable Ø 4-6 mm)
Connector specification DIN 43650, 9,4 mm, form C
or ISO 15217 / DIN 43650, 8 mm, form C
IEC 335

Electrical safety

Electrical enclosure protection Moulded IP65 (EN 60529)
Standard voltages DC (=) : 24V
(Other voltages on request) AC (~) : 24V - 115V - 230V / 50-60 Hz

| coils | | power ratings (↔) | | | | operator ambient temperature range ⁽⁴⁾ (TS) (°C) | type ⁽²⁾ |
|--------------|--------------|-------------------|--------------------|---------|----------------|---|---------------------|
| power ranges | voltages (V) | inrush ~ (VA) | holding ~ (VA) (W) | | hot/cold = (W) | | |
| | LP1 | | - 24 | - | | - | - |
| LP2 | 24-115 | 24 | 1,4 | 1,2 1,1 | 1 / 1,2 | -25 to + 60 | |
| LP3 | 230 | 24 | 2,1 | 1,6 1,5 | 2 / 2,65 | -25 to +60 (~)/+50 (=) ⁽³⁾ | |

⁽²⁾ Refer to the dimensional drawings on the following page..

⁽³⁾ With LED, see page 6

⁽⁴⁾ For joinable subbase mounting, see page 6.

SPECIFICATIONS (NO and U, following page)

| orifice size (mm) | flow | | | | operating pressure differential (bar) | | power ranges | basic catalogue number | | | | | |
|--|----------------------|-------|----------------|-------|---------------------------------------|-----------|--------------|------------------------|----------|------------|----------|----------|---|
| | at 6 bar l/min (ANR) | | coefficient Kv | | min. | max. (PS) | | manual operator | | maintained | | 8 mm | |
| | 1 → 2 | 2 → 3 | 1 → 2 | 2 → 3 | | | | impulse | 8 mm | 9,4 mm | 8 mm | | |
| | ~ | = | ~ | = | | | | | | | | | |
| NC - Normally closed (Without LED and protection) | | | | | | | | | | | | | |
| 0,6 | 11 | 20 | 0,11 | 0,26 | 0 | 8 | LP1 | - | 30211106 | - | - | 30211107 | - |
| | | | | | 0 | 10 | LP2 | 30211109 | 30210109 | 30211110 | 30210110 | | |
| 0,8 | 17 | 28 | 0,22 | 0,35 | 0 | 8 | LP2 | 30211112 | 30210112 | 30211113 | 30210113 | | |
| | | | | | 0 | 5 | LP2 | 30211118 | 30210118 | 30211119 | 30210119 | | |
| 1,1 | 32 | 51 | 0,35 | 0,50 | 0 | 10 | LP3 | 30211121 | 30210121 | 30211122 | 30210122 | | |
| | | | | | 0 | 3 | LP2 | 30211124 | 30210124 | 30211125 | 30210125 | | |
| 1,5 | 39 | 53 | 0,50 | 0,56 | 0 | 6 | LP3 | 30211127 | 30210127 | 30211128 | 30210128 | | |
| NC - Normally closed (With LED and protection) ⁽⁵⁾ | | | | | | | | | | | | | |
| 0,6 | 11 | 20 | 0,11 | 0,26 | 0 | 10 | LP2 | 30215109 | 30214109 | 30215110 | 30214110 | | |
| 0,8 | 17 | 28 | 0,22 | 0,35 | 0 | 8 | LP2 | 30215112 | 30214112 | 30215113 | 30214113 | | |
| | | | | | 0 | 5 | LP2 | 30215118 | 30214118 | 30215119 | 30214119 | | |
| | | | | | 0 | 10 | LP3 | 30215121 | - | 30215122 | - | | |
| | | | | | 0 | 3 | LP2 | 30215124 | 30214124 | 30215125 | 30214125 | | |
| | | | | | 0 | 6 | LP3 | 30215127 | - | 30215128 | - | | |

⁽⁵⁾ Only available in 24 V AC/DC and 115 V AC.

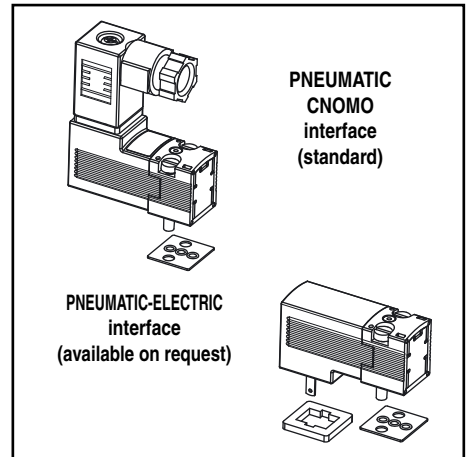
| | ~ | = |
|-------------------|-----|-----|
| with connector | --A | --D |
| without connector | --L | --P |

When ordering, please specify in addition to the basic catalogue number:

the type of current: voltage / frequency + the version: with or without connector

to be inserted after the basic catalogue number

Examples: • with connector 24V DC : 30211109--D 24V DC
• without connector 24V DC : 30211109--P 24V DC



(↔) Nominal power ratings of versions without LED indicator and electrical protection.

For versions with LED indicator and electrical protection, add:
0,15 W with DC (=)
0,4 W / VA with AC (~)

SPECIFICATIONS: NO, U

| orifice size (mm) | flow | | | | operating pressure differential (bar) | | power ranges | basic catalogue number | | | |
|---|----------------------|-------|----------------|-------|---------------------------------------|----|--------------|------------------------|-----------|----------|----------|
| | at 6 bar l/min (ANR) | | coefficient Kv | | | | | manual operator | | impulse | |
| | 1 → 2 | 2 → 3 | 1 → 2 | 2 → 3 | | | | min. | max. (PS) | 9,4 mm | 8 mm |
| | ~ | = | = | = | = | = | | | | | |
| NO - Normally open (Without LED and protection) | | | | | | | | | | | |
| 0,8 | 20 | 17 | 0,26 | 0,20 | 0 | 8 | LP2 | 30211130 | 30210130 | 30211131 | 30210131 |
| | | | | | 0 | 10 | LP2 | 30211133 | 30210133 | 30211134 | 30210134 |
| 1 | 28 | 32 | 0,35 | 0,35 | 0 | 5 | LP2 | 30211136 | 30210136 | 30211137 | 30210137 |
| | | | | | 0 | 8 | LP3 | 30211139 | 30210139 | 30211140 | 30210140 |
| 1,5 | 53 | 39 | 0,56 | 0,50 | 0 | 2 | LP2 | 30211142 | 30210142 | 30211143 | 30210143 |
| | | | | | 0 | 6 | LP3 | 30211145 | 30210145 | 30211146 | 30210146 |
| NO - Normally open (With LED and protection)⁽⁵⁾ | | | | | | | | | | | |
| 0,8 | 20 | 17 | 0,26 | 0,20 | 0 | 8 | LP2 | 30215130 | 30214130 | 30215131 | 30214131 |
| | | | | | 0 | 10 | LP2 | 30215133 | 30214133 | 30215134 | 30214134 |
| 1 | 28 | 32 | 0,35 | 0,35 | 0 | 5 | LP2 | 30215136 | 30214136 | 30215137 | 30214137 |
| | | | | | 0 | 8 | LP3 | 30215139 | - | 30215140 | - |
| 1,5 | 53 | 39 | 0,56 | 0,50 | 0 | 2 | LP2 | 30215142 | 30214142 | 30215143 | 30214143 |
| | | | | | 0 | 6 | LP3 | 30215145 | - | 30215146 | - |
| | 1 ↔ 2 | 2 ↔ 3 | 1 ↔ 2 | 2 ↔ 3 | | | | | | | |
| U - universal (Without LED and protection) | | | | | | | | | | | |
| 0,8 | 17 | 20 | 0,20 | 0,26 | 0 | 6 | LP2 | 30211148 | 30210148 | 30211149 | 30210149 |
| U - universal (With LED and protection)⁽⁵⁾ | | | | | | | | | | | |
| 0,8 | 17 | 20 | 0,20 | 0,26 | 0 | 6 | LP2 | 30215148 | 30214148 | 30215149 | 30214149 |

⁽⁵⁾ Only available in 24 V AC/DC and 115 V AC.

When ordering, please specify in addition to the basic catalogue number:

the type of current: voltage / frequency + the version: with or without connector

| | | |
|-------------------|-----|-----|
| | ~ | = |
| with connector | --A | --D |
| without connector | --L | --P |

{ to be inserted after
the basic catalogue number

Examples: • with connector 24V DC : **30211130--D** 24V DC
• without connector 24V DC : **30211130--P** 24V DC

OPTIONS AND ACCESSORIES

- Seals and disc made of FPM (fluoroelastomer)
- Versions without manual operator and Uv (Universal vacuum): contact us
- Version with pneumatic-electric interface
- Version 12 V DC, LP2, connector DIN 43650, 9,4 mm, industry standard B
- Connector ISO 15217 / DIN 43650, 8 mm, form C:
 - standard: catalogue number **88130211**
 - with cable 2 m length: catalogue number **88130214**
- Connector DIN 43650, 9,4 mm, form C:
 - standard: catalogue number **88143581**
 - with cable 2 m length: catalogue number **88143567**
- Explosionproof enclosures for use in zones 0/20-1/21-2/22, categories 1-2-3 to ATEX Directive 94/9/EC (see "Explosionproof solenoids" section)

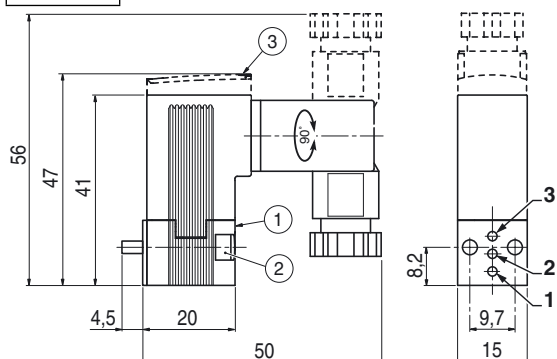
INSTALLATION

- The solenoid valves can be mounted in any position without affecting operation
- Solenoid valve supplied with mounting screws and mounting pad seal(s)
- Installation/maintenance instructions are included with each valve

DIMENSIONS (mm), WEIGHT (kg)



TYPE 01
IEC 335 / DIN 43650
IP65

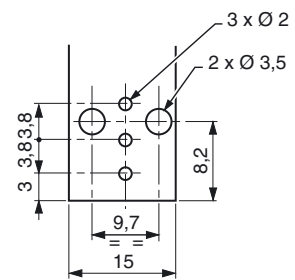


| function | connection | | |
|----------|------------|---|-----|
| | 1 | 2 | 3 |
| NC | P | O | E |
| NO | E | O | P |
| MIX | P2 | O | P1 |
| SEL | O 2 | P | O 1 |

P: Pressure
E: Exhaust

O: Outlet

Subbase mounting surface: ISO 15218
(CNOMO E06.36.120N, size 15)



- 1 Manual operator location
- 2 2 mounting screw M3 x 20
- 3 Version with LED and electrical protection

| |
|-----------------------------|
| weight⁽¹⁾ |
| 0,047 |

⁽¹⁾ with standard connector.

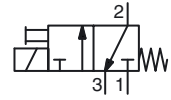
All leaflets are available on: www.asconumatics.eu



MINI-SOLENOID VALVES

ISO 15218 (CNOMO, size 15) interface
 direct operated, pad mounting body
 connection M12 or with cable ends

NC



3/2
 Series
302

FEATURES

- Compact, monobloc solenoid pilot valve with M12 connector or cable ends
- Version with integrated LED indicator and electrical protection.
 LED indicator visible from 3 sides
- The solenoid valves satisfy all relevant EC directives

GENERAL

Differential pressure See «SPECIFICATIONS» [1 bar = 100 kPa]
Pneumatic base ISO 15218 (CNOMO E06.36.120N, size 15)
Connection Subbase
Response time 8 - 15 ms

| fluids (*) | temperature range (TS) | seal materials (*) |
|--|---------------------------------------|--|
| air or inert gas filtered at 50 µm, lubricated or not | - 25°C to + 60°C (LP2) ⁽¹⁾ | NBR (nitrile) FPM (fluoroelastomer) |

⁽¹⁾ LP2: see "electrical characteristics" table

MATERIALS IN CONTACT WITH FLUID

(*) Ensure that the compatibility of the fluids in contact with the materials is verified

Body PAA
Internal parts POM, PET, stainless steel and brass
Pneumatic interface seal TPE

OTHER MATERIALS

Coil Thermoplastic PET

ELECTRICAL CHARACTERISTICS

Coil insulation class F
Connection Connector M12 or cable ends
Electrical safety IEC 335

connector M12 CNOMO E03.62.520.N
 cable ends EN 60730

Electrical enclosure protection Moulded IP67 (EN 60529)

Standard voltages DC (=) : 24V

| coils | | power ratings (◇) | | | | operator ambient temperature range ⁽³⁾ (TS) (°C) | type ⁽²⁾ |
|--------------|--------------|-------------------|-----------|------------|-------------|---|---------------------|
| power ranges | voltages (V) | inrush ~ | holding ~ | hot/cold = | | | |
| | | ~ = | (VA) | (VA) (W) | (W) | | |
| LP2 | - 24 | - | - | - | 1,15 / 1,35 | -25 to + 60 | 01-02-03 |

⁽²⁾ Refer to the dimensional drawings on the following page. ⁽³⁾ For joinable subbase mounting, see page 6.

SPECIFICATIONS

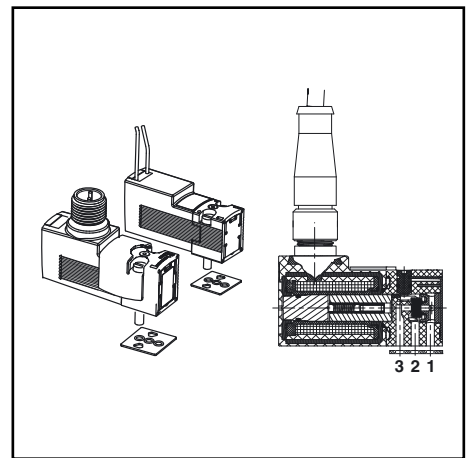
| orifice size (mm) | flow at 6 bar l/min (ANR) | | coefficient Kv | | operating pressure differential (bar) | | power ranges | basic catalogue number | |
|--|---------------------------|-------|----------------|-------|---------------------------------------|-----------|--------------|------------------------|----------------------------|
| | 1 → 2 | 2 → 3 | 1 → 2 | 2 → 3 | min. | max. (PS) | | impulse | manual operator maintained |
| NC - Normally closed, connection M12 + LED and protection | | | | | | | | | |
| 0,6 | 11 | 20 | 0,11 | 0,26 | 0 | 10 | LP2 | 30212109 | 30212110 |
| 0,8 | 17 | 28 | 0,22 | 0,35 | 0 | 8 | LP2 | 30212112 | 30212113 |
| 1,1 | 32 | 51 | 0,35 | 0,50 | 0 | 5 | LP2 | 30212118 | 30212119 |
| 1,5 | 39 | 53 | 0,50 | 0,56 | 0 | 3 | LP2 | 30212124 | 30212125 |
| NC - Normally closed, cable ends + LED and protection | | | | | | | | | |
| 0,6 | 11 | 20 | 0,11 | 0,26 | 0 | 10 | LP2 | 30213109 | 30213110 |
| 0,8 | 17 | 28 | 0,22 | 0,35 | 0 | 8 | LP2 | 30213112 | 30213113 |
| 1,1 | 32 | 51 | 0,35 | 0,50 | 0 | 5 | LP2 | 30213118 | 30213119 |
| 1,5 | 39 | 53 | 0,50 | 0,56 | 0 | 3 | LP2 | 30213124 | 30213125 |

When ordering:

| | | |
|-------------------|-----|-------|
| | M12 | cable |
| with connector | --D | ⊗ |
| without connector | --P | ⊗ |
| complete | ⊗ | --D |

to be inserted after the basic catalogue number

- Examples:
- M12 with connector : **30212109--D**
 - M12 without connector : **30212109--P**
 - cable ends : **30213109--D**



(◇) Nominal power ratings of standard versions (with LED indicator and electrical protection)

00075GB-2011/R01 Availability, design and specifications are subject to change without notice. All rights reserved.

OPTIONS AND ACCESSORIES

- Seals and disc made of FPM (fluoroelastomer)
- Versions without manual operator, NO (Normally Open), U (Universal) and Uv (Universal vacuum): contact us
- Version with pneumatic-electric interface
- Straight M12 connector:
 - with 5 m cable length: catalogue number **88130212**
- Explosionproof enclosures for use in zones 0/20-1/21-2/22, categories 1-2-3 to ATEX Directive 94/9/EC (see "Explosionproof solenoids" section)

INSTALLATION

- The solenoid valves can be mounted in any position without affecting operation
- Solenoid valve supplied with mounting screws and mounting pad seal(s)
- Installation/maintenance instructions are included with each valve

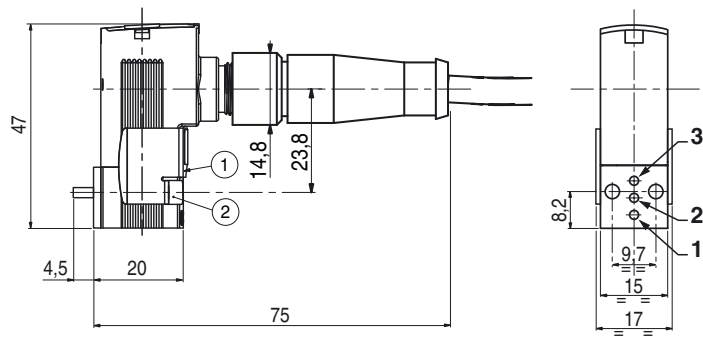
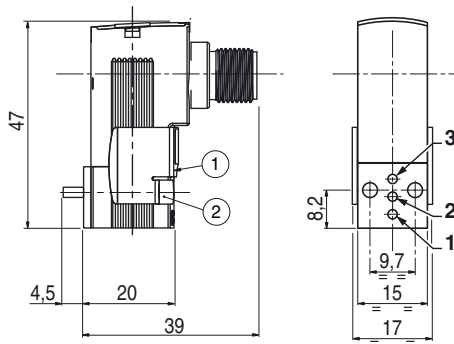
DIMENSIONS (mm), WEIGHT (kg)



TYPE 01
IEC 335
Connection M12
IP67



TYPE 02
IEC 335 /
Straight M12 connector, 5 m cable length
IP67



- ① Manual operator location.
② 2 mounting screw M3 x 20

| M12 ⁽¹⁾ | | weight | cable ends |
|--------------------|----------------|--------|------------|
| ⁽¹⁾ | ⁽²⁾ | | |
| 0,049 | 0,288 | 0,040 | |

⁽¹⁾ Without connector

⁽²⁾ With connector

| function | connection | | |
|----------|------------|---|---|
| | 1 | 2 | 3 |
| NC | P | O | E |

P: Pressure

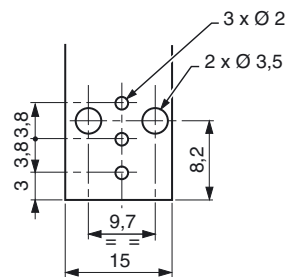
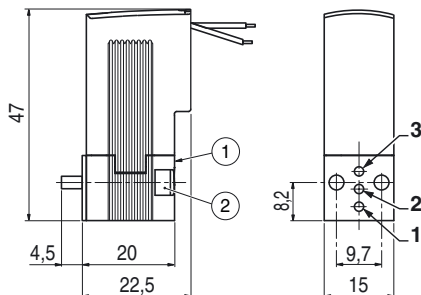
E: Exhaust

O: Outlet

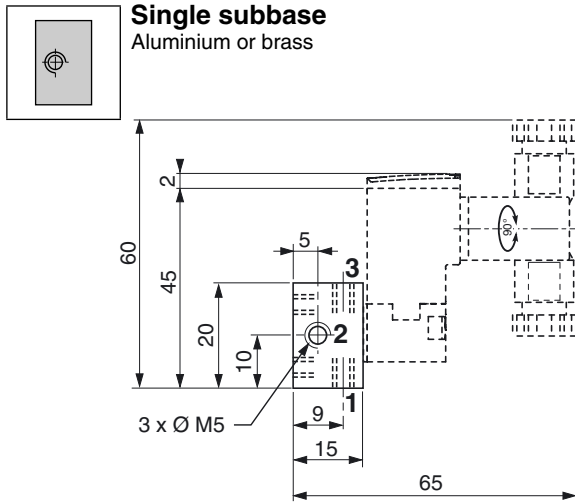


TYPE 03
IEC 335
Cable ends 0,3 m length
IP67

Subbase mounting surface: ISO 15218
(CNOMO E06.36.120N, size 15)



DIMENSIONS (mm), WEIGHT (kg)

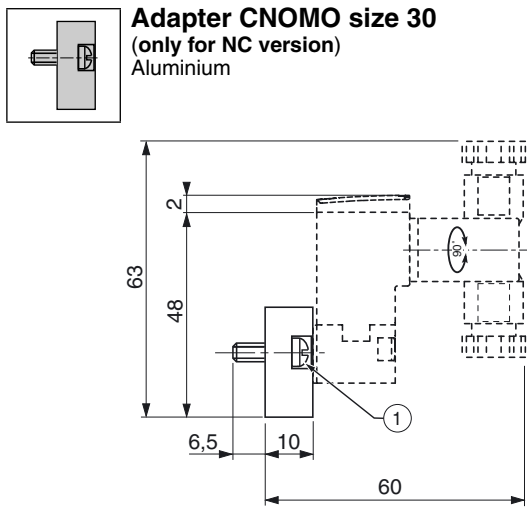


Single subbase
Aluminium or brass

- ① Mounting: 2 holes M3, depth 4,5
Orifice (2) can be connected on the left or on the right of the subbase.

| material | catalogue number | weight ⁽¹⁾ |
|-----------|------------------|-----------------------|
| aluminium | 88263002 | 0,011 |
| brass | 30300001 | 0,034 |

⁽¹⁾ subbase alone



Adapter CNOMO size 30
(only for NC version)
Aluminium

- ① Mounting: 2 screws M4 x 10 (supplied)

| catalogue number | weight ⁽²⁾ |
|------------------|-----------------------|
| 88263001 | 0,018 |

⁽²⁾ adapter alone



Joinable subbases
Aluminium

- Ports 1 and 3: G1/8
Port 2: coupling for 4mm OD tube

- ① Fixing hole \varnothing 3,2 (2 for 4x ; 1 for 2x)
② Fixing hole M3, depth 8 (2 for 4x ; 1 for 2x)
③ Mating surface blanking plates (option)
④ TS35 DIN rail (not supplied)
⑤ Clip for DIN rail mounting (option)

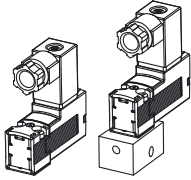
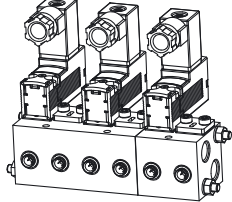
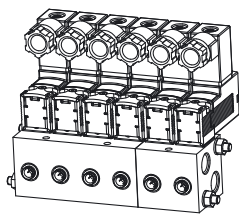
| catalogue number | x | subbases | L | weight ⁽³⁾ |
|------------------|----|--------------|-----|-----------------------|
| 35500564 | 2 | 2x | - | 0,076 |
| 35500565 | 4 | 4x | - | 0,148 |
| 35500566 | 6 | 4x + 2x | 114 | 0,236 |
| 35500567 | 8 | 4x + 4x | 148 | 0,313 |
| 35500568 | 10 | 4x + 4x + 2x | 182 | 0,389 |
| 35500569 | 12 | 4x + 4x + 4x | 216 | 0,466 |

⁽³⁾ subbases alone
x = place for mini-solenoid valves.
2 plugs R1/8 supplied.

OPTIONS AND ACCESSORIES

- Additional subbase with 2 places (with seals): catalogue number **35500570**
- 2 tie-rods + nuts for a subbase with:
 4 places: catalogue number **88100752**
 6 places: catalogue number **88100753**
 8 places: catalogue number **88100754**
 10 places: catalogue number **88100755**
 12 places: catalogue number **88100756**
- Mounting kit for DIN rail (2 clips + screws + washers): catalogue number **88100757**
- Mating surface blanking plate: catalogue number **88130203**

AMBIENT TEMPERATURE RANGES

| current type | power range | power coil | | version |    | |
|---------------|--------------------|-----------------------|------------------|------------------|--|---------------|
| | | inrush/holding (VA) ~ | hot/cold (W) = | | | |
| DC (=) | LP1 ⁽¹⁾ | - | 0,5/0,55 | standard | | -10°C ; +50°C |
| | LP2 ⁽¹⁾ | - | 1/1,2 | standard | | -25°C ; +60°C |
| | | - | 1,15/1,35 | LED + protection | | -25°C ; +40°C |
| | LP3 ⁽²⁾ | - | 2/2,65 | standard | | -25°C ; +50°C |
| - | | 2,15/2,8 | LED + protection | | -25°C ; +40°C | |
| AC (~) | LP2 ⁽²⁾ | 1,4/1,2 | - | standard | | -25°C ; +60°C |
| | | 1,8/1,6 | - | LED + protection | | -25°C ; +40°C |
| | LP3 ⁽²⁾ | 2,1/1,6 | - | standard | | -25°C ; +60°C |
| | | 2,5/2 | - | LED + protection | | -25°C ; +50°C |

⁽¹⁾ Voltage: -15% / +20%

⁽²⁾ Voltage: -15% / +10%