

### FEATURES

- Valves do not require a minimum operating pressure and have a high operating pressure as indicated
- Valve operation is not affected by mounting position
- For use with fluids other than those specified below, use other seat materials (St. steel/Bronze)
- The solenoid valves satisfy all relevant EC directives

### GENERAL

**Differential pressure** See «SPECIFICATIONS» [1 bar = 100 kPa]  
**Maximum viscosity** 65 cSt (mm<sup>2</sup>/s)  
**Response time** 5 - 25 ms

fluids (*)	temperature range (TS)	seal materials (*)
air, inert gas, water, oil	- 20°C to + 90°C	NBR (nitrile)



### MATERIALS IN CONTACT WITH FLUID

(\*) Ensure that the compatibility of the fluids in contact with the materials is verified

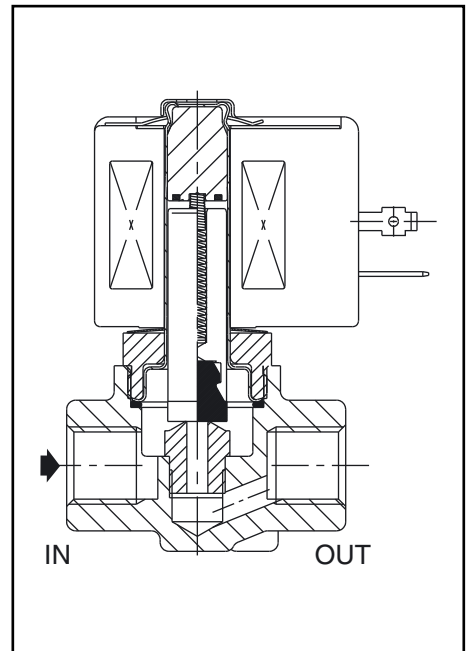
	Brass body	Stainless steel body
<b>Body</b>	Brass	AISI 303 SS
<b>Core tube</b>	Stainless steel	Stainless steel
<b>Core and plugnut</b>	Stainless steel	Stainless steel
<b>Springs</b>	Stainless steel	Stainless steel
<b>Seat</b>	Brass	Stainless steel
<b>Seals</b>	NBR	NBR
<b>Disc</b>	NBR	NBR
<b>Shading coil</b>	Copper	Copper

### ELECTRICAL CHARACTERISTICS

**Coil insulation class** F  
**Connector** Spade plug (cable Ø 6-10 mm)  
**Connector specification** ISO 4400 / EN 175301-803, form A  
**Electrical safety** IEC 335  
**Electrical enclosure protection** Moulded IP65 (EN 60529)  
**Standard voltages** DC (=) : 24V - 48V  
 (Other voltages and 60 Hz on request) AC (~) : 24V - 48V - 115V - 230V / 50 Hz

prefix option	power ratings				operator ambient temperature range (TS) (C°)	replacement coil		type <sup>(1)</sup>
	inrush ~	holding ~	hot/cold =			~	=	
	(VA)	(VA)	(W)	(W)		230 V/50 Hz	24 V DC	
SC	34	15,6	6	7 / 9,7	-20 to + 75	400325-117	400325-142	01
	30	22,5	9	9,5/15,3	-20 to + 50	400325-217	400325-242	01
	55	23	10,5	9/11,2	-20 to + 75	400425-117	400425-142	02
	78	35	16,7	-	-20 to + 50	400425-217	-	02

<sup>(1)</sup> Refer to the dimensional drawings on the following page.



### SPECIFICATIONS

pipe size	orifice size	flow coefficient Kv		operating pressure differential (bar)								power coil (W)		catalogue number		options								
				max. (PS)										brass	stainless steel	maintained man. operator	FPM	EPDM	CR	PTFE				
				min.		air (*)		water (*)		oil (*)											~	=		
	(mm)	(m <sup>3</sup> /h)	(l/min)																					
<b>NC - Normally closed</b>																								
Rp 3/8	3,2	0,3	5	0	14	7	14	6	10	6	9	15,3	<b>SCE263C003</b>	-	<b>MO</b>	<b>V</b>	<b>E</b>	<b>J</b>	<b>T</b>					
	3,2	0,3	5	0	20	5	20	5	18	4	16,7	11,2	<b>SCE263B232</b>	-	<b>MO</b>	<b>V</b>	<b>E</b>	<b>J</b>	<b>T</b>					
	4	0,43	7,2	0	6,5	2,5	6,5	2,5	6,5	2,5	10,5	11,2	<b>SCE263B200</b>	-	<b>MO</b>	<b>V</b>	<b>E</b>	<b>J</b>	<b>T</b>					
	5,6	0,62	10,3	0	6,5	1,7	6,5	1,7	6,5	1,7	16,7	11,2	<b>SCE263B206</b>	-	<b>MO</b>	<b>V</b>	<b>E</b>	<b>J</b>	<b>T</b>					
	7,1	0,82	13,7	0	1,8	1	2,5	1	1,3	1	6	9,7	<b>SCE263C054</b>	-	<b>MO</b>	<b>V</b>	<b>E</b>	<b>J</b>	<b>T</b>					
NPT 3/8	5,6	0,62	10,3	0	6,5	1,7	6,5	1,7	6,5	1,7	16,7	11,2	-	<b>SCB263B332</b>	<b>MO</b>	<b>V</b>	<b>E</b>	<b>J</b>	<b>T</b>					

### OPTIONS

- Valves can also be supplied with FPM (fluoroelastomer), EPDM (ethylene-propylene), CR (chloroprene) and PTFE seals and discs. Use the appropriate optional suffix letter for identification
- Waterproof enclosure with embedded screw terminal coil according to protection class IP67, CEE-10
- Explosionproof enclosures for use in zones 1/21-2/22, categories 2-3 to ATEX Directive 94/9/EC (see "Explosionproof solenoids" section)
- Electrical enclosures according to "NEMA" standards are available
- Compliance with "UL", "CSA" and other local approvals available on request
- Other pipe connections are available on request
- Plug with visual indication and peak voltage suppression or with cable length of 2 m (see Solenoids, Coils & Accessories section)

### INSTALLATION

- The solenoid valves can be mounted in any position without affecting operation
- Solenoid valves have 2 mounting holes in body
- Pipe connection identifier is E = Rp (ISO 7/1) or B = NPT (ANSI 1.20.3)
- Installation/maintenance instructions are included with each valve

### SPARE PARTS KIT

catalogue number	spare parts kit no.	
	~	=
SCE263C003	<b>C302018</b>	<b>C302068</b>
SCE263C054	<b>C302022</b>	<b>C302068</b>
SCE263B200/206/232	<b>C302001</b>	<b>C302062</b>
SCB263B332	<b>C302001</b>	<b>C302062</b>

<sup>(1)</sup> Standard prefixes/suffixes are also applicable to kits.

### ORDERING EXAMPLES:

SC	E	263	C	003	230V / 50 Hz
SC	E	263	C	054	MO 115V / 50 Hz
SC	E	263	B	200	V 24V / DC
SC	E	263	B	206	E 230V / 50 Hz

prefix      pipe thread      basic number      voltage      suffix

### ORDERING EXAMPLES KITS:

C302018 <sup>(1)</sup>	
C302068	V
C302001	E

basic number      suffix

### DIMENSIONS (mm), WEIGHT (kg)



**TYPE 01-02**  
Prefix "SC" Solenoid  
Epoxy moulded  
IEC 335 / ISO 4400  
IP65

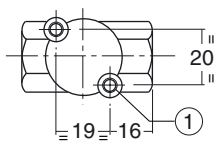
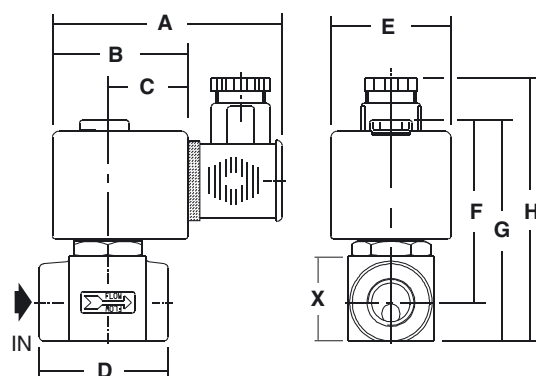
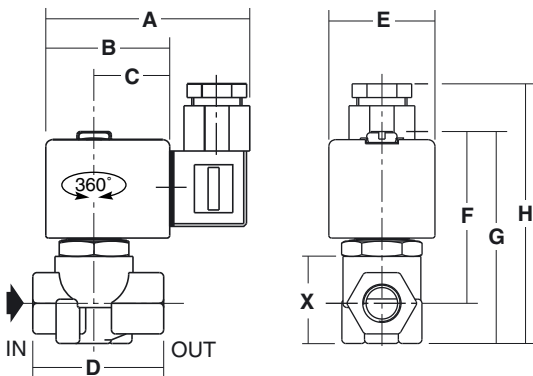
Type 01: SCE263C003/C054

Type 02: SCE263B232/B200/B206

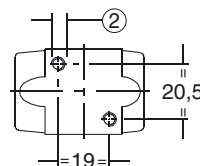


**TYPE 02**  
Prefix "SC" Solenoid  
Epoxy moulded  
IEC 335 / ISO 4400  
IP65

SCB262B332



Bottom view



Bottom view

type	prefix option	catalogue number	A	B	C	D	E	F	G	H	X	weight <sup>(2)</sup>
01	SC	SCE263C003/C054	75	45	27	48	39	65	74	96	32	0,4
02	SC	SCE263B232/B200/B206	80	50	30	48	45	68	83	100	34	0,5
		SCB263B332	80	50	30	50	45	68	83	100	34	0,5

2 mounting holes:

- ① Ø M4, depth 6 mm
- ② 190-24 UNC-2B, depth 6 mm

<sup>(2)</sup> including coil and connector.

All leaflets are available on: [www.asconumatics.eu](http://www.asconumatics.eu)