

### FEATURES

- Direct acting valves with stainless steel seat ensure a long continuous cycling life in severe steam applications
- The solenoid valves have forged brass bodies, compact design, to minimize heat radiation parts
- Core disc design
- The solenoid valves are constructed packless with a one-piece deepdrawn stainless steel core tube, ensuring safe operation of electrical and wetted moving parts
- The solenoid valves satisfy all relevant EC Directives

### GENERAL

**Differential pressure** See «SPECIFICATIONS» [1 bar = 100 kPa]  
**Response time** 5 - 25 ms

fluids (*)	temperature range (TS)	seal materials (*)
hot water, steam	- 20°C to + 150/160/165°C	PTFE - reinforced

### MATERIALS IN CONTACT WITH FLUID

(\*) Ensure that the compatibility of the fluids in contact with the materials is verified

<b>Body</b>	Brass
<b>Core tube</b>	Stainless steel
<b>Core and plugnut</b>	Stainless steel
<b>Springs</b>	Stainless steel
<b>Seat</b>	Stainless steel
<b>Seals</b>	EPDM
<b>Disc</b>	PTFE reinforced
<b>Shading coil</b>	Copper

### ELECTRICAL CHARACTERISTICS

**Coil insulation class** F  
**Connector** Spade plug (cable Ø 6-10 mm)  
**Connector specification** ISO 4400 / EN 175301-803, form A  
**Electrical safety** IEC 335  
**Electrical enclosure protection** Moulded IP65 (EN 60529)  
**Standard voltages** DC (=) : 24V - 48V  
(Other voltages and 60 Hz on request) AC (~) : 24V - 48V - 115V - 230V / 50 Hz

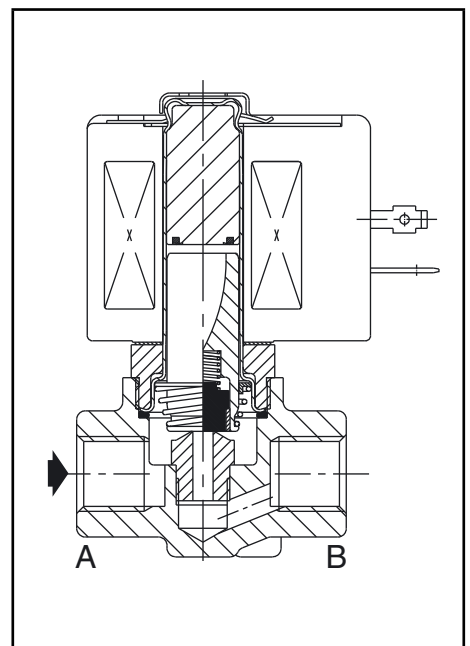
prefix option	power ratings				operator ambient temperature range (TS) (C°)	replacement coil		type (1)
	inrush ~	holding ~		hot/cold =		~	=	
	(VA)	(VA)	(W)	(W)		230 V/50 Hz	24 V DC	
SC	55	23	10,5	-	-20 to + 40	400425-117	-	01
	-	-	-	12/16,8	-20 to + 40	-	400625-142	02

(1) Refer to the dimensional drawings on the following page.

### SPECIFICATIONS

pipe size	orifice size	flow coefficient Kv		operating pressure differential (bar)				max. fluid temp. (°C)		power coil (W)		catalogue number	
				max. (PS)									
				steam (*)		water (*) (2)							
Rp	(mm)	(m³/h)	(l/min)	min.	~	=	~	=	~	=			
<b>NC - Normally closed</b>													
1/4	4	0,45	7,5	0	6	3,5	6	3,5	165	150	10,5	16,8	SCE263A300
	5,6	0,62	10,8	0	5	-	5	-	160	-	10,5	-	SCE263A301
3/8	4	0,45	7,5	0	6	3,5	6	3,5	165	150	10,5	16,8	SCE263A305
	5,6	0,62	10,8	0	5	-	5	-	160	-	10,5	-	SCE263A306

(2) Water temperature should not exceed 100°C.



### OPTIONS

- Waterproof enclosure with embedded screw terminal coil according to protection class IP67, CEE-10
- Electrical enclosures according to "NEMA" standards are available
- Compliance with "UL", "CSA" and other local approvals available on request
- Other pipe connections are available on request
- Plug with visual indication and peak voltage suppression or with cable length of 2 m (see Solenoids, Coils & Accessories section)

### INSTALLATION

- The solenoid valves can be mounted in any position without affecting operation
- Solenoid valves have 2 mounting holes in body
- Pipe connection identifier is E = Rp (ISO 7/1)
- Installation/maintenance instructions are included with each valve

### SPARE PARTS KIT

catalogue number	spare parts kit no.	
	~	=
SCE263A300/305	<b>C186270</b>	<b>C132650</b>
SCE263A301/306	<b>C186270</b>	-

- Not available.

### ORDERING EXAMPLES:

<b>SC</b>	<b>E</b>	<b>263</b>	<b>A</b>	<b>300</b>	230V / 50 Hz
<b>SC</b>	<b>E</b>	<b>263</b>	<b>A</b>	<b>301</b>	115V / 50 Hz
<b>SC</b>	<b>E</b>	<b>263</b>	<b>A</b>	<b>305</b>	24V / DC
<b>SC</b>	<b>E</b>	<b>263</b>	<b>A</b>	<b>306</b>	230V / 50 Hz

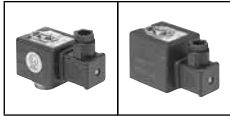
prefix — pipe thread — basic number — voltage — suffix

### ORDERING EXAMPLES KITS:

	C186270	
	C132650	

basic number — suffix

### DIMENSIONS (mm), WEIGHT (kg)

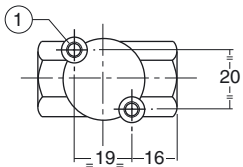
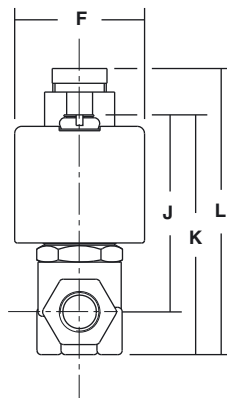
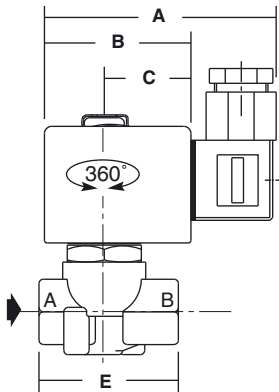


#### TYPE 01-02

Prefix "SC" Solenoid  
Epoxy moulded  
IEC 335 / ISO 4400  
IP65

Type 01 (AC): SCE263A300/301/305/306

Type 02 (DC): SCE263A300/305



① 2 mounting holes Ø M5, depth 6 mm.

type	prefix option	A	B	C	E	F	J	K	L	weight <sup>(1)</sup>
01	SC	80	50	30	48	45	67	82	99	0,70
02	SC	86	56	33	48	50	75	90	90	0,80

<sup>(1)</sup> including coil and connector.

All leaflets are available on: [www.asconumatics.eu](http://www.asconumatics.eu)

V901-09-2