

FEATURES

- Solenoid valves satisfy all relevant EC directives
- Valves are tested by the WRC for compliance with Water Byelaws and Regulations and are "UK WFBS Listed"
- Epoxy moulded spade plug connection coil according to ISO 4400 and DIN 43650 is supplied as standard
- The coil is in accordance with IEC 335 regulations
- Valve connections are 15 mm compression fittings conforming to BS 864; Part 2: 1983

GENERALITES

Differential pressure	0 - 12 bar [1 bar = 100 KPa]
Fluid temperature (TS)	0°C to +50°C
Ambient temperature (TS)	0°C to +40°C
Maximum viscosity	65 cSt (mm ² /s)

MATERIALS IN CONTACT WITH FLUID

(*) Ensure that the compatibility of the fluids in contact with the materials is verified

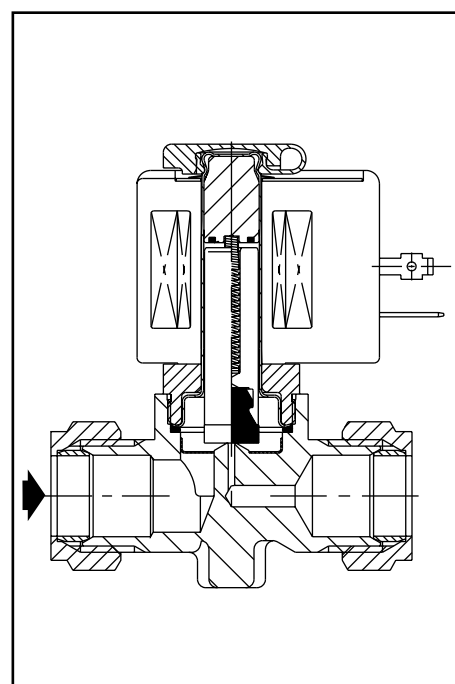
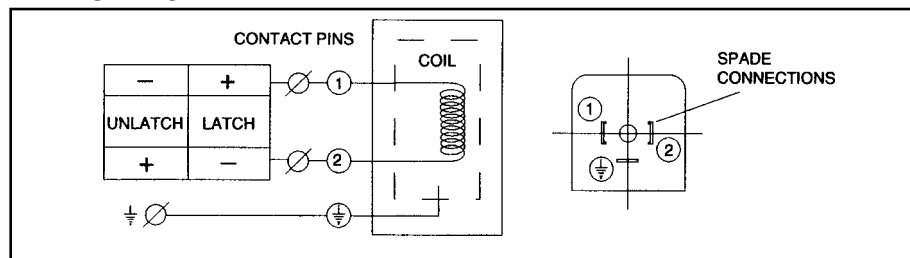
Body	Brass
Seals and disc	EPDM (ethylene-propylene)
Core tube	Stainless steel
Springs	Stainless steel
Shading coil	Copper
Strainer	Stainless steel

ELECTRICAL CHARACTERISTICS

Coil insulation class	F
Connector	Spade plug (cable Ø 6-10 mm)
Connector specification	ISO 4400 / EN 175301-803, form A
Standard voltages	DC (=): 3 - 6 - 9 - 12 - 24V

(Other voltages on request)

WIRING DIAGRAM



OPERATION

Valve is closed (unlatched) when reversed polarity supply voltage is momentary applied. Valve is open (latched) when supply voltage is momentarily applied. Pulse time duration varies with operating pressure differential.

SPECIFICATIONS

pipe size (mm)	orifice size (mm)	flow coefficient Kv (m ³ /h) (l/min)		operating pressure differential bar (10 ² kPa)		max. fluid temp. (0°)	watt rating	catalogue number
				water (*)				
				min.	max. (PS)			
				=	=		=	
15	1,2	0,05	0,80	0	12,0	50	2,5	H262601BW
15	2,0	0,15	2,50	0	12,0	50	6,0	H262602BW
15	3,2	0,30	5,00	0	3,0	50	6,0	H262603BW
15	4,0	0,43	7,20	0	2,0	50	6,0	H262604BW
15	6,7	0,82	13,70	0	0,7	50	6,0	H262605BW

FLOW ON WATER (at l/min)

orifice size (mm)	operating pressure differential (10 ² kPa)												catalogue number
	0,10	0,20	0,30	0,40	0,50	1,00	2,00	4,00	6,00	8,00	10,00	12,00	
1,2	0,27	0,38	0,47	0,54	0,60	0,80	1,20	1,70	2,20	2,40	2,70	3,00	H262601BW
2,0	0,77	1,10	1,34	1,55	1,70	2,50	3,40	4,90	6,00	6,90	7,70	8,40	H262602BW
3,2	1,60	2,20	2,70	3,20	3,50	5,00	7,10	-	-	-	-	-	H262603BW
4,0	2,20	3,20	3,90	4,50	5,00	7,20	10,10	-	-	-	-	-	H262604BW
6,7	4,30	6,10	7,50	8,70	9,70	-	-	-	-	-	-	-	H262605BW

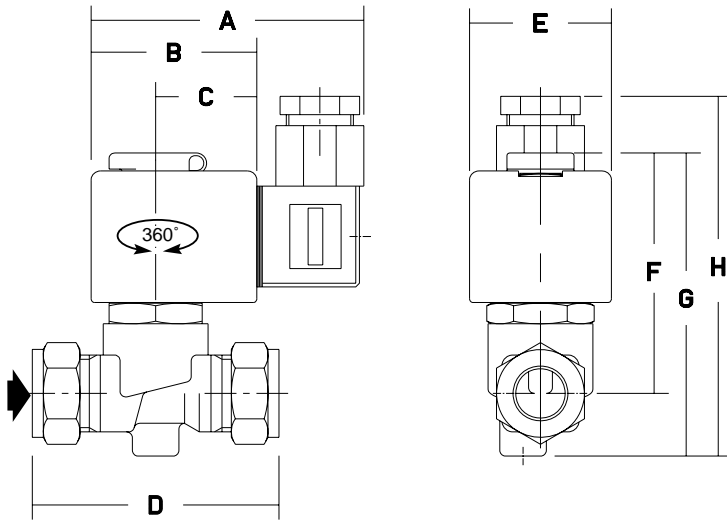
OPTIONS

- Epoxy moulded leaded coil with two core cable of 0,35 m length
- Manual operator
- Panel mounted construction valves available

INSTALLATION

- The valves can be mounted in any position without affecting operation, however for optimum life and performance the valve should be mounted with the solenoid vertical and upright
- Installation/maintenance instructions are included with each valve
- Spare Parts Kit and replacement coils are available

DIMENSIONS (mm), WEIGHT (kg)



catalogue number H26260.	A	B	C	D	E	F	G	H	weight (1)
1-2-3-4-5 BW	73,2	45,2	27	77,2	45,2	65,1	82,7	97,8	0,420

(1) incl. coil and connector

All leaflets are available on: www.ascojoucomatic.com