

### FEATURES

- Special materials and handling procedures are used in the high vacuum valves to avoid molecular contamination
- The medium and high vacuum valves are mass spectrometer tested
- Valves do not require a minimum operating pressure and are suitable for low, medium and high vacuum
- Valves operation is not affected by mounting position
- The solenoid valves satisfy all relevant EC Directives

### GENERAL

**Differential pressure** 1 bar absolute [1 bar = 100 kPa]  
**Response time** 5 - 25 ms

fluids (*)	temperature range (TS)	seal materials (*)
air, inert gas	- 20°C to + 90°C	NBR (nitrile) FPM (fluoroelastomer)



### MATERIALS IN CONTACT WITH FLUID

(\*) Ensure that the compatibility of the fluids in contact with the materials is verified

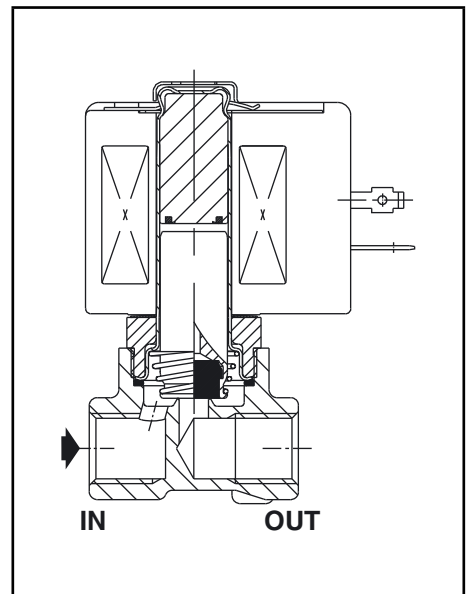
<b>Body</b>	Brass
<b>Core tube</b>	Stainless steel
<b>Core and plugnut</b>	Stainless steel
<b>Springs</b>	Stainless steel
<b>Seat</b>	Brass
<b>Seals</b>	NBR or FPM
<b>Disc</b>	NBR or FPM
<b>Shading coil</b>	Copper

### ELECTRICAL CHARACTERISTICS

**Coil insulation class** F  
**Connector** Spade plug (cable Ø 6-10 mm)  
**Connector specification** ISO 4400 / EN 175301-803, form A  
**Electrical safety** IEC 335  
**Electrical enclosure protection** Moulded IP65 (EN 60529)  
**Standard voltages** DC (=) : -  
(Other voltages and 60 Hz on request) AC (~) : 24V - 48V - 115V - 230V / 50 Hz

prefix option	power ratings				operator ambient temperature range (TS) (C°)	replacement coil		type <sup>(1)</sup>
	inrush ~	holding ~	hot/cold =			~	=	
	(VA)	(VA)	(W)	(W)		230 V/50 Hz	-	
SC	34	15,6	6	-	-20 to + 75	400325-117	-	01

<sup>(1)</sup> Refer to the dimensional drawings on the following page.



### SPECIFICATIONS

pipe size	orifice size	flow coefficient Kv		minimum absolute vacuum pressure (PS)		power coil (W)	catalogue number	options	
		(m³/h)	(l/min)	air (*)				maintained man. operator	
G	(mm)	(m³/h)	(l/min)	mbar (Torr)		~	~		
<b>NC - Normally closed, low vacuum range to 25 Torr, NBR seals</b>									
1/4	7,1	0,82	13,7	33,3 (25)		6	-	SCG262C090	MO - -
<b>NC - Normally closed, medium vacuum range to 10<sup>-3</sup> Torr, NBR seals</b>									
1/4	7,1	0,82	13,7	1,33.10 <sup>-3</sup> (10 <sup>-3</sup> )		6	-	SCG262C090VM	MO - -
<b>NC - Normally closed, high vacuum range to 10<sup>-6</sup> Torr, FPM seals</b>									
1/4	7,1	0,82	13,7	1,33.10 <sup>-6</sup> (10 <sup>-6</sup> )		6	-	SCG262C090VH	MO - -

### OPTIONS

- Waterproof enclosure with embedded screw terminal coil according to protection class IP67, CEE-10
- Explosionproof enclosures for use in zones 1/21-2/22, categories 2-3 to ATEX Directive 94/9/EC (see "Explosionproof solenoids" section)
- Electrical enclosures according to "NEMA" standards are available
- Compliance with "UL", "CSA" and other local approvals available on request
- Mounting brackets, suffix MB
- Other pipe connections are available on request
- Plug with visual indication and peak voltage suppression or with cable length of 2 m (see Solenoids, Coils & Accessories section)

### INSTALLATION

- The solenoid valves can be mounted in any position without affecting operation
- Solenoid valves have 2 mounting holes in body
- Pipe connection identifier is G = G (ISO 228/1)
- Installation/maintenance instructions are included with each valve

### SPARE PARTS KITS & ACCESSORIES

catalogue number	spare parts kit no.		mounting bracket no.
	~	=	
SCG262C090	C302022	-	254573-001

<sup>(1)</sup> Standard prefixes/suffixes are also applicable to kits.

### ORDERING EXAMPLES:

SC	G	262	C	090	230V / 50 Hz
SC	G	262	C	090	MO 115V / 50 Hz
SC	G	262	C	090	VM 24V / 50 Hz
SC	G	262	C	090	VH 230V / 50 Hz

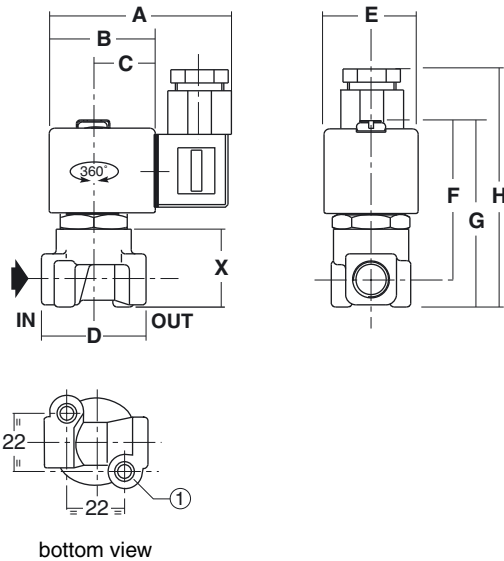
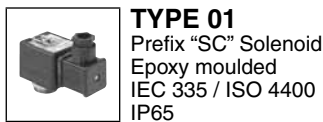
prefix ———  
 pipe thread ———  
 basic number ———  
 voltage ———  
 suffix ———

### ORDERING EXAMPLES KITS:

C302022 <sup>(1)</sup>	
C302022	VM
C302022	VH

basic number ———  
 suffix ———

### DIMENSIONS (mm), WEIGHT (kg)



① 2 mounting holes Ø M4, depth 6 mm

type	prefix option	A	B	C	D	E	F	G	H	X	weight <sup>(2)</sup>
01	SC	75	45	27	40	39	65	75	92	30	0,35

<sup>(2)</sup> including coil and connector.