

### FEATURES

- Minimum operating pressure differential  $\Delta P$  0,35 bar
- Two way valves for automatic control of water, air and inert gas and other gases/liquids compatible with the sealing materials used
- Stainless steel body for wide compatibility with environments and fluids
- Interchangeability of magnetic heads, AC and DC
- The solenoid valves satisfy all relevant EC Directives

### GENERAL

Differential pressure	See «SPECIFICATIONS» [1 bar = 100 kPa]
Ambient temperature range	-10°C to +60°C
Maximum viscosity	37 cSt (mm <sup>2</sup> /s)
Response time	3/8 1/2 3/4 1
opening time (ms)	300 300 300 1500
closing time (ms)	1000 1000 1000 2000

fluids (*)	temperature range (TS)	seal materials (*)
air, inert gas and water	0°C to + 130°C	FPM (fluoroelastomer)

### MATERIALS IN CONTACT WITH FLUID

(\*) Ensure that the compatibility of the fluids in contact with the materials is verified

Body	Stainless steel, AISI 316L
Core tube	Stainless steel
Core and plugnut	Stainless steel
Springs	Stainless steel
Seat	Stainless steel, AISI 316L
Diaphragm & disc valve	FPM
Seals & disc pilot	FPM
Shading coil	Copper

### ELECTRICAL CHARACTERISTICS

Coil insulation class	F
Connector	Spade plug (cable Ø 6-8 mm or Ø 6-10 mm)
Connector specification	EN 175301-803 industry standard form B (11 mm)
for power coil 4W/5,5W	ISO 4400 / EN 175301-803, form A
for power coil 7W DC	IEC 335
Electrical safety	Moulded IP65 (EN 60529)
Electrical enclosure protection	DC (=) : 24V - 48V
Standard voltages	AC (~) : 24V - 48V - 115V - 230V / 50 Hz
(Other voltages and 60 Hz on request)	

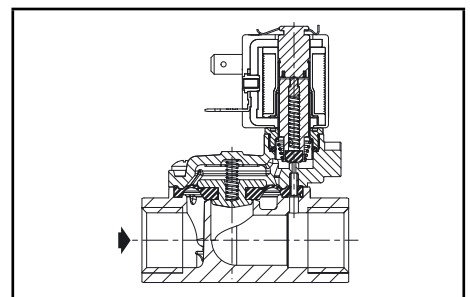
prefix option	power ratings				operator ambient temperature range (TS) (C°)	replacement coil		type <sup>(1)</sup>
	inrush ~	holding ~	hot/cold =			~	=	
	(VA)	(VA)	(W)	(W)		230 V/50 Hz	24 V DC	
SC	12	6	4	4,5/5,5	-10 to + 60	43005429	43005413	01 <sup>(2)</sup>
	-	-	-	5/7	-10 to + 60	-	43005533	02

<sup>(1)</sup> Refer to the dimensional drawings on the following page.

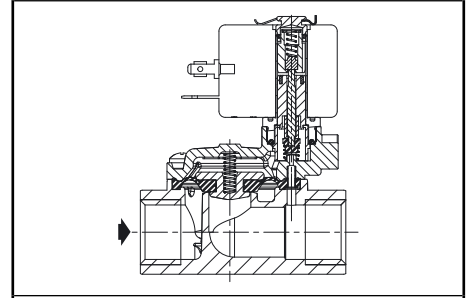
<sup>(2)</sup> UL/CSA certified.

### SPECIFICATIONS

pipe size	orifice size	flow coefficient Kv		operating pressure differential (bar)				power coil (W)		catalogue number	options			
				min.	max. (PS)		~				=	maintained	man. operator	EPDM
					air / water (*)									
G	(mm)	(m <sup>3</sup> /h)	(l/min)		~	=		~	=	~/=				
<b>NC - Normally closed</b>														
3/8	13,5	2,5	41,7	0,35	12	12	4	5,5		SCG238C101V	MO	E	-	
1/2	13,5	3,8	63,3	0,35	12	12	4	5,5		SCG238C102V	MO	E	-	
3/4	18	5	83,3	0,35	10	10	4	5,5		SCG238C103V	MO	E	-	
1	24	12	200	0,35	10	10	4	5,5		SCG238C104V	MO	E	-	
<b>NO - Normally open</b>														
3/8	13,5	2,5	41,7	0,35	12	12	4	7		SCG238C105V	-	E	-	
1/2	13,5	3,8	63,3	0,35	12	12	4	7		SCG238C106V	-	E	-	
3/4	18	5	83,3	0,35	10	10	4	7		SCG238C107V	-	E	-	
1	24	12	200	0,35	10	10	4	7		SCG238C108V	-	E	-	



NC function



NO function

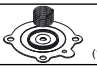
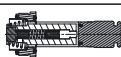
### OPTIONS

- Valves can also be supplied with EPDM (ethylene-propylene) seals, diaphragm and disc. Use the appropriate optional suffix letter for identification
- Explosionproof enclosures for use in zones 1/21-2/22, categories 2-3 to ATEX Directive 94/9/EC (see "Explosionproof solenoids" section)
- Oxygen service, suffix NV, example: SCG238C102NV
- Plug with visual indication and peak voltage suppression or with cable length of 2 m (see Solenoids, Coils & Accessories section)

### INSTALLATION

- The solenoid valves can be mounted in any position without affecting operation
- Threaded pipe connection is standard: G = G (ISO 228/1)
- Installation/maintenance instructions are included with each valve

### SPARE PARTS KIT

catalogue number	spare parts kit no. <sup>(1)</sup>	
	 <sup>(1)</sup>	
	~/=	~/=
SCG238C101V/102V	<b>C131038V</b>	<b>C140267V</b>
SCG238C103V	<b>C131039V</b>	<b>C140267V</b>
SCG238C104V	<b>C131040V</b>	<b>C140267V</b>
SCG238C105V/106V	<b>C131041V</b>	<b>C140508V</b>
SCG238C107V	<b>C131042V</b>	<b>C140508V</b>
SCG238C108V	<b>C131043V</b>	<b>C140508V</b>

<sup>(1)</sup> For EPDM version, replace "V" with "E".

### ORDERING EXAMPLES:

SC	G	238	C	101	V	230V / 50 Hz
SC	G	238	C	104	E	24V / DC
SC	G	238	C	102	VMO	230V / 50 Hz

prefix — pipe thread — basic number — voltage — suffix

### ORDERING EXAMPLES KITS:

C140267	V
C131038	E

basic number — suffix

### DIMENSIONS (mm), WEIGHT (kg)



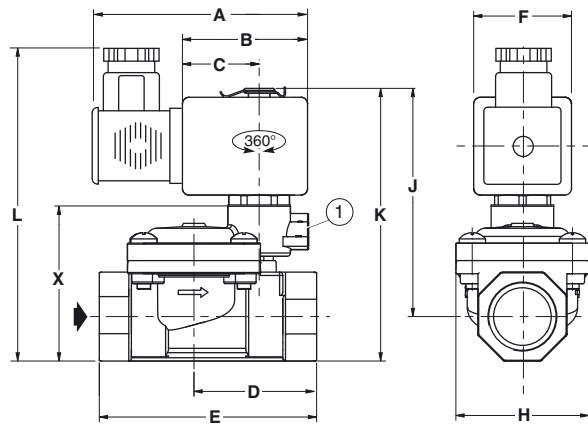
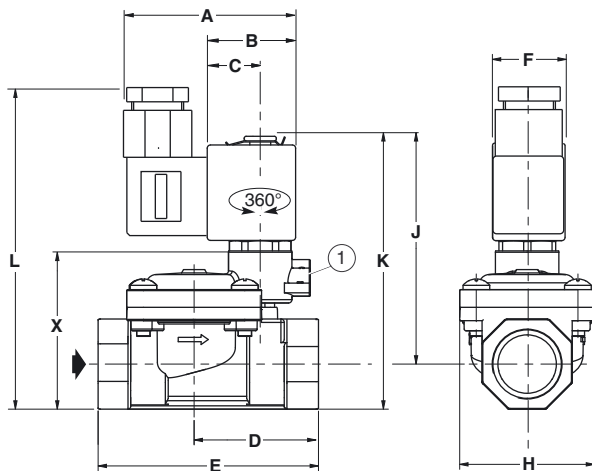
**TYPE 01**  
Prefix "SC" Solenoid  
IEC 335 / EN 175301-803  
IP65

SCG238C101/102/103/104  
AC (~): SCG238C105/106/107/108



**TYPE 02**  
Prefix "SC" Solenoid  
IEC 335 / ISO 4400  
IP65

DC (-): SCG238C105/106/107/108



① Manual operator location.

type	prefix option	catalogue number	A	B	C	D	E	F	H	J	K	L	X	weight <sup>(2)</sup>	
														NC	NO
01	SC	SCG238C101 / SCG238C105 (~)	57,5	27,5	17	34,5	60	22	40	67	78	95	42	0,33	0,35
		SCG238C102 / SCG238C106 (~)	57,5	27,5	17	37	66	22	40	69	83	100	47	0,38	0,41
		SCG238C103 / SCG238C107 (~)	57,5	27,5	17	43,5	79	22	50	73,5	90	107	54	0,52	0,55
		SCG238C104 / SCG238C108 (~)	57,5	27,5	17	59	105	22	71	85	106	123	70	1,08	1,11
02	SC	SCG238C105 (=)	73	38	23	34,5	60	30	40	67	78	95	42	-	0,35
		SCG238C106 (=)	73	38	23	37	66	30	40	69	83	83	47	-	0,41
		SCG238C107 (=)	73	38	23	43,5	79	30	50	73,5	90	90	54	-	0,55
		SCG238C108 (=)	73	38	23	59	105	30	71	85	106	106	70	-	1,11

<sup>(2)</sup> Incl. coil(s) and connector(s).

All leaflets are available on: [www.asconumatics.eu](http://www.asconumatics.eu)