

FEATURES

- Minimum operating pressure differential ΔP 0,3/0,5 bar
- Two way valves for automatic control of water, air and inert gas and other gases/liquids compatible with the sealing materials used
- Interchangeability of magnetic heads, AC and DC
- The solenoid valves satisfy all relevant EC Directives

GENERAL

Differential pressure	See «SPECIFICATIONS» [1 bar =100 kPa]						
Ambient temperature range	-10°C to +60°C						
Maximum viscosity	40 cSt (mm ² /s)						
Response time	3/8	1/2	3/4	1	1 1/4	1 1/2	2
opening time (ms)	25	30	55	70	300	300	1500
closing time (ms)	40	90	110	200	1000	1000	2000

fluids (*)	temperature range (TS)	seal materials (*)
DN ≤ 25: air, inert gas and water DN > 25: air and water	- 10°C to + 85°C	NBR (nitrile) FPM (fluoroelastomer)

MATERIALS IN CONTACT WITH FLUID

(*) Ensure that the compatibility of the fluids in contact with the materials is verified

Body	Brass
Internal parts	Stainless steel and brass
Springs	Stainless steel
Diaphragm & valve disc	NBR
Seals and pilot disc	FPM (3/8 to 1), NBR (1 1/4 to 2)
Shading coil	Copper

ELECTRICAL CHARACTERISTICS

Coil insulation class	F
Connector	Spade plug
Connector specification	DIN 43650, 11 mm, industry standard B (cable Ø 6-8 mm) ISO 4400 / EN 175301-803, form A (Ø 6-10 mm) IEC 335
Electrical safety	Moulded IP65 (EN 60529)
Electrical enclosure protection	DC (-) : 24V - 48V AC (-) : 24V - 48V - 115V - 230V / 50 Hz
Standard voltages	
(Other voltages and 60 Hz on request)	

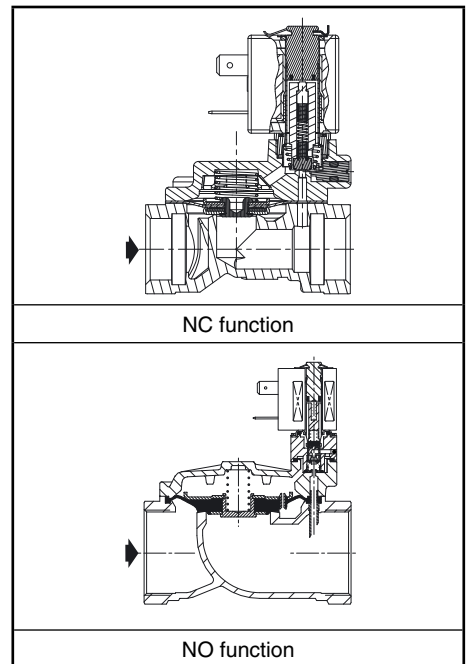
prefix option	power ratings				operator ambient temperature range (TS) (C°)	replacement coil		type ⁽¹⁾
	inrush ~	holding ~		=		~	=	
		(VA)	(W)					
SC	12	6	4	4,5/5,5	-10 to + 60	43005429	43005413	01 ⁽²⁾
	10,4	6	3,5	5/7	-10 to + 60	43005539	43005533	02
	23	14	8	7,5/9	-10 to + 50	43005275	43005272	03

⁽¹⁾ Refer to the dimensional drawings on the following page.

⁽²⁾ UL/CSA certified.

SPECIFICATIONS

pipe size	orifice size	flow coefficient Kv		operating pressure differential (bar)				power coil (W)		catalogue number	options			
		(mm)	(m ³ /h)	min.	max. (PS)		~	=	~		=	maintained man. operator	FPM	EPDM
					air / water (*)									
NC - Normally closed														
G* 3/8	12	2,4	40	0,3	10	10	4	5,5	SCE238C001	MO	V	E		
					16	16	3,5	7		SCE238C006	MO	V	E	
G* 1/2	12	2,4	40	0,3	10	10	4	5,5	SCE238C002	MO	V	E		
					16	16	3,5	7	SCE238C007	MO	V	E		
	15	4,2	70	0,3	10	10	4	5,5	SCE238C003	MO	V	E		
					16	16	3,5	7	SCE238C008	MO	V	E		
G* 3/4	20	6,6	110	0,3	10	10	4	5,5	SCE238C004	MO	V	E		
					16	16	3,5	7	SCE238C009	MO	V	E		
G* 1	25	9,9	165	0,3	10	10	4	5,5	SCE238C005	MO	V	E		
					16	16	3,5	7	SCE238C010	MO	V	E		
G 1 1/4	30	15	250	0,5	10	10	8	9	SCG238C016	MO	V	-		
G 1 1/2	45	27	450	0,5	10	10	8	9	SCG238C017	MO	V	-		
G 2	45	34	566	0,5	10	10	8	9	SCG238C018	MO	V	-		
NO - Normally open														
G 1 1/4	30	15	250	0,5	10	10	8	9	SCG238C019	-	V	-		
G 1 1/2	45	27	450	0,5	10	10	8	9	SCG238C020	-	V	-		
G 2	45	34	566	0,5	10	10	8	9	SCG238C021	-	V	-		



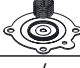
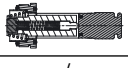
OPTIONS

- Valves can also be supplied with FPM (fluorelastomer), EPDM (ethylene-propylene) seals, diaphragm and disc. Use the appropriate optional suffix letter for identification
- Explosionproof enclosures for use in zones 1/21-2/22, categories 2-3 to ATEX Directive 94/9/EC (see "Explosionproof solenoids" section)
- Oxygen service, suffix NV, example: SCE238C002NVMO (Except pipe size G 1 1/4, G 1 1/2 and G 2)
- Plug with visual indication and peak voltage suppression or with cable length of 2 m (see Solenoids, Coils & Accessories section)

INSTALLATION

- The solenoid valves can be mounted in any position without affecting operation
- Pipe connections (G*) have standard combination thread according to ISO 228/1 and ISO 7/1. Pipe connections (G) have standard combination thread according to ISO 228/1
- Installation/maintenance instructions are included with each valve

SPARE PARTS KIT

catalogue number	spare parts kit no. ⁽¹⁾	
		
	~/=	~/=
SCE238C001/002/006/007	C131600	C140262V
SCE238C003/C008	C131618	C140262V
SCE238C004/C009	C131606	C140262V
SCE238C005/C010	C131609	C140262V

⁽¹⁾ Standard suffixes are also applicable to kits.

ORDERING EXAMPLES:

SC	E	238	C001	230V / 50 Hz
SC	E	238	C008 V	115V / 50 Hz
SC	E	238	C004 E	24V / DC
SC	G	238	C016	230V / 50 Hz

prefix pipe thread basic number voltage suffix

ORDERING EXAMPLES KITS:

C131600 ⁽¹⁾	
C131618	V
C140262	E

basic number suffix

DIMENSIONS (mm), WEIGHT (kg)



TYPE 01
Prefix "SC" Solenoid
IEC 335 / DIN 43650
IP65

SCE238C001/002/004/005
SCE238C003



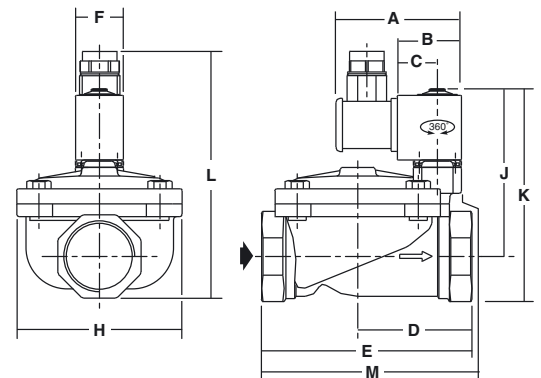
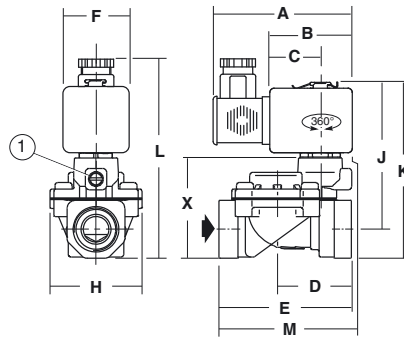
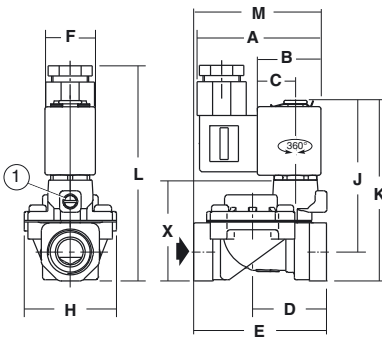
TYPE 02
Prefix "SC" Solenoid
IEC 335 / ISO 4400
IP65

SCE238C006/007/009/010
SCE238C008



TYPE 03
Prefix "SC" Solenoid
IEC 335 / ISO 4400
IP65

SCG238C016/017/018
SCG238C019/020/021



type	prefix option	catalogue number	A	B	C	D	E	F	H	J	K	L	M	X	weight ⁽²⁾
01	SC	SCE238C001/002	57,5	27,5	17	34,5	62	22	43	68,5	81	98	57,5	47	0,4
		SCE238C003	57,5	27,5	17	45,5	81,5	22	57	71	83,5	100	73,5	49,5	0,5
		SCE238C004	57,5	27,5	17	53	95	22	68	79,5	94,5	111	85,5	60,5	0,8
		SCE238C005	57,5	27,5	17	58	105,5	22	87	84,5	104	121	93	70	1,0
02	SC	SCE238C006/007	73	38	23	34,5	62	30	43	69,5	83	100,5	61,5	47	0,5
		SCE238C008	73	38	23	45,5	81,5	30	57	72	85,5	103	77,5	49,5	0,6
		SCE238C009	73	38	23	53	95	30	68	80,5	96,5	114	89,5	60,5	0,9
		SCE238C010	73	38	23	58	105,5	30	87	85,5	106	123,5	97	70	1,1
03	SC	SCG238C016	73	41,5	21,6	63	113	32	81	109 ⁽³⁾	135 ⁽³⁾	150	106	-	1,7
		SCG238C017	73	41,5	21,6	80	140	32	110	112 ⁽³⁾	142 ⁽³⁾	157	129	-	2,6
		SCG238C018	73	41,5	21,6	85	157	32	110	117 ⁽³⁾	153 ⁽³⁾	168	129	-	2,9
		SCG238C019	73	41,5	21,6	63	113	32	81	127	153	168	106	-	1,9
		SCG238C020	73	41,5	21,6	80	140	32	110	130	160	175	129	-	3,0
		SCG238C021	73	41,5	21,6	85	157	32	110	135	171	186	129	-	3,4

⁽²⁾ Incl. coil(s) and connector(s).

⁽³⁾ Maintained manual operator: added + 23 mm.

① Manual operator location

All leaflets are available on: www.asconumatics.eu