

FEATURES

- The Y-bodied valves provide a high flow with relative small orifices
- The solenoid valves operate with a minimum ΔP of 0,07/0,15 bar
- The solenoid valves are constructed packless with a one-piece deepdrawn stainless steel core tube, ensuring safe separation of electrical and wetted moving parts
- The solenoid valves have forged brass bodies, compact design, to minimize heat radiation loss
- The solenoid valves satisfy all relevant EC directives

GENERAL

Differential pressure 0,07 - 10 bar [1 bar = 100 kPa]
Response times 75 - 100 ms

| fluids (*) | temperature range (TS) | seal materials (*) |
|---------------------|------------------------|-------------------------|
| hot water and steam | 0 to +165°C | PTFE PTFE reinforced |

MATERIALS IN CONTACT WITH FLUID

(*) Ensure that the compatibility of the fluids in contact with the materials is verified

| | |
|------------------|---------------------------|
| Body | Brass |
| Core tube | Stainless steel |
| Core and plugnut | Stainless steel |
| Springs | Stainless steel |
| Seat | Stainless steel or brass |
| Seals | EPDM (ethylene propylene) |
| Piston ring | PTFE carbon filled |
| Piston / disc | PTFE or PTFE reinforced |
| Shading coil | Copper |

ELECTRICAL CHARACTERISTICS

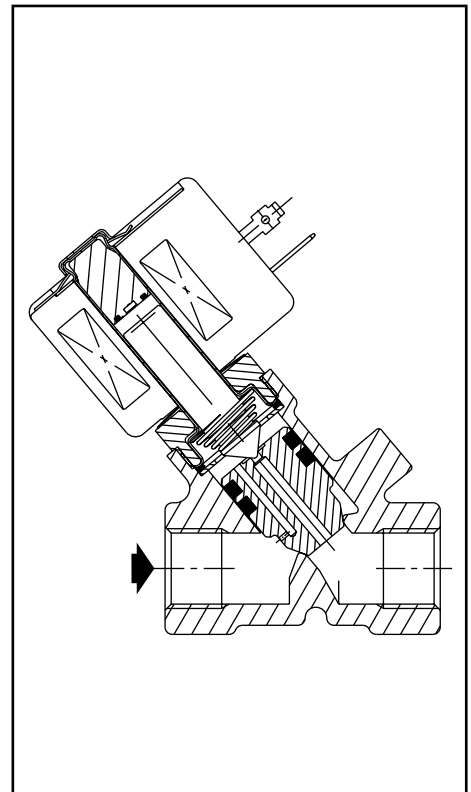
| | |
|---------------------------------------|--|
| Coil insulation class | F |
| Connector | Spade plug (cable \varnothing 6-10 mm) |
| Connector specification | ISO 4400 / EN 175301-803, form A |
| Electrical safety | IEC 335 |
| Standard voltages | DC (=) : not available |
| (Other voltages and 60 Hz on request) | AC (~) : 24V - 115V - 230V / 50 Hz |

| coil type | power ratings | | | | ambient temperature range (TS) (°C) | protection |
|-----------|---------------|---------|------|-------|-------------------------------------|--------------|
| | inrush ~ (VA) | holding | | = (W) | | |
| | | ~ (VA) | (W) | | | |
| CM6-FT | 34,0 | 15,6 | 6,0 | - | -20 to +40 | moulded IP65 |
| CMXX-FT | 55,0 | 23,0 | 10,5 | - | -20 to +40 | moulded IP65 |

SPECIFICATIONS

| pipe size | orifice size (mm) | flow coefficient Kv (m³/h) (l/min) | | operating pressure differential (bar) | | | max. fluid temp. (°C) | coil type | catalogue number | OPTIONAL | | | |
|---|-------------------|------------------------------------|---------|---------------------------------------|--------------|--------------|-----------------------|-----------|------------------|----------|------|----|------|
| | | | | min. | maximum (PS) | | | | | FPM | EPDM | CR | PTFE |
| | | | | | steam (*) | water (1)(*) | | | | | | | |
| Rp | (mm) | (m³/h) | (l/min) | | | | (°C) | ~ | | | | | |
| Stainless steel seat, EPDM seals, PTFE piston | | | | | | | | | | | | | |
| 1/4 | 9,5 | 1,0 | 16,7 | 0,07 | 6 | 10 | 165 | CM6-FT | SCE222A070 | | | | |
| 3/8 | 9,5 | 2,2 | 36,7 | 0,07 | 6 | 10 | 165 | CM6-FT | SCE222A074 | | | | |
| 1/2 | 9,5 | 2,2 | 36,7 | 0,07 | 6 | 10 | 165 | CM6-FT | SCE222A076 | | | | |
| Brass seat, EPDM seals, PTFE reinforced piston | | | | | | | | | | | | | |
| 3/4 | 12,8 | 4,0 | 66,7 | 0,15 | 6 | 10 | 165 | CMXX-FT | SCE222A049 | | | | |

(1) Water temperature should not exceed 100°C



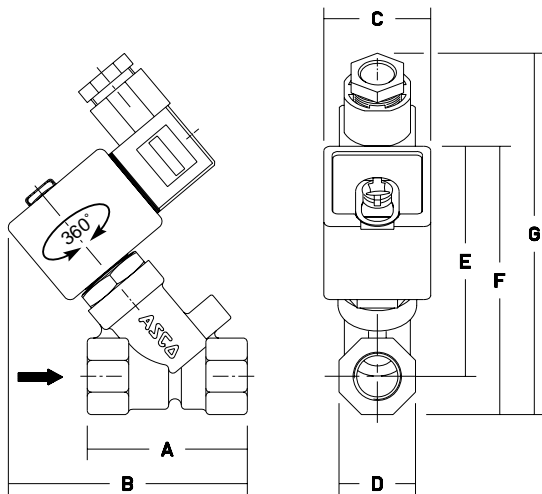
OPTIONS

- Waterproof enclosure with embedded screw terminal coil and Pg 13,5 cable gland to meet CEE 10 (IP67)
- Solenoid head "CSA" approved. Coils according to "CSA/SA" standards
- Compliance with "UL" and "CSA" standards
- Mounting brackets
- Plug with visual indication and peak voltage suppression or with cable length of 2m

INSTALLATION

- The solenoid valves can be mounted in any position without affecting operation
- Pipe thread identifier is: E = Rp (ISO 7/1)
- The third digit in the catalogue number indicates the standard pipe connection
- Other pipe threads are available on request
- Installation/maintenance instructions are included with each valve
- Spare Parts Kit and replacement coils are available

DIMENSIONS (mm), WEIGHT (kg)



| catalogue number SCE222 | A | B | C | D | E | F | G | weight (1) |
|----------------------------|----|-----|----|----|----|-----|-----|------------|
| A070 - A074 - A076 | 58 | 87 | 39 | 28 | 82 | 96 | 130 | 0,5 |
| A049 | 70 | 103 | 48 | 33 | 93 | 113 | 145 | 0,8 |

(1) Approx. weight in kg incl. coil and connector

All leaflets are available on: www.ascojoucomatic.com