

### FEATURES

- Special materials and handling procedures are used in the high vacuum valves to avoid molecular contamination
- The medium and high vacuum valves are mass spectrometer tested
- Two way shut-off pilot operated valves for air and inert gas compatible with the seal materials used
- The solenoid valves satisfy all relevant EC Directives

### GENERAL

**Differential pressure** 1 bar absolute [1 bar = 100 kPa]  
**Response time** 15 - 120 ms

fluids (*)	temperature range (TS)	seal materials (*)
air, inert gas	- 20°C to + 85°C	NBR (nitrile)
	- 20°C to + 90°C	FPM (fluoroelastomer)

### MATERIALS IN CONTACT WITH FLUID

(\*) Ensure that the compatibility of the fluids in contact with the materials is verified

<b>Body</b>	Brass
<b>Core tube</b>	Stainless steel
<b>Core and plugnut</b>	Stainless steel
<b>Springs</b>	Stainless steel
<b>Seat</b>	Brass
<b>Seals, diaphragm &amp; disc</b>	NBR or FPM
<b>Disc holder (NO function)</b>	PA
<b>Shading coil</b>	Copper

### ELECTRICAL CHARACTERISTICS

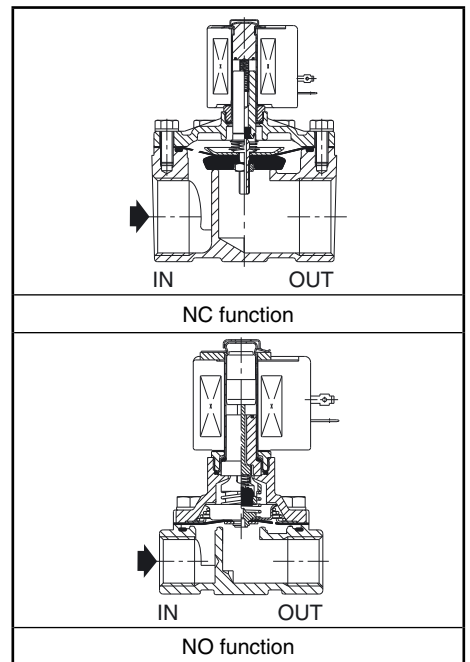
**Coil insulation class** F  
**Connector** Spade plug (cable Ø 6-10 mm)  
**Connector specification** ISO 4400 / EN 175301-803, form A  
**Electrical safety** IEC 335  
**Electrical enclosure protection** Moulded IP65 (EN 60529)  
**Standard voltages** DC (=) :-  
(Other voltages and 60 Hz on request) AC (~) : 24V - 48V - 115V - 230V / 50 Hz

prefix option	power ratings				operator ambient temperature range (TS) (C°)	replacement coil		type <sup>(1)</sup>
	inrush ~	holding ~	hot/cold =			~	=	
	(VA)	(VA)	(W)	(W)		230 V/50 Hz	-	
SC	55	23	10,5	-	-20 to + 75	400425-117	-	01

<sup>(1)</sup> Refer to the dimensional drawings on the following page.

### SPECIFICATIONS

pipe size	orifice size	flow coefficient Kv		minimum absolute vacuum pressure (PS)	power coil (W)	catalogue number	options		
		(m³/h)	(l/min)				air (*)	maintained man. operator	
Rp	(mm)	(m³/h)	(l/min)	mbar (Torr)	~	~			
<b>NC - Normally closed, low vacuum range to 25 Torr, NBR seals</b>									
3/4	19	5,2	87	33,3 (25)	10,5 -	SCE210D095	MO	-	-
<b>NC - Normally closed, medium vacuum range to 10<sup>-3</sup> Torr, NBR seals</b>									
3/4	19	5,2	87	1,33.10 <sup>-3</sup> (10 <sup>-3</sup> )	10,5 -	SCE210D095VM	MO	-	-
<b>NC - Normally closed, high vacuum range to 10<sup>-6</sup> Torr, FPM seals</b>									
3/4	19	5,2	87	1,33.10 <sup>-6</sup> (10 <sup>-6</sup> )	10,5 -	SCE210D095VH	MO	-	-
<b>NO - Normally open, low vacuum range to 25 Torr, NBR seals</b>									
3/8	16	2,6	43	33,3 (25)	10,5 -	SCE210C033	MO	-	-
1/2	16	3,4	57	33,3 (25)	10,5 -	SCE210C034	MO	-	-
3/4	19	4,7	79	33,3 (25)	10,5 -	SCE210C035	MO	-	-
<b>NO - Normally open, medium vacuum range to 10<sup>-3</sup> Torr, NBR seals</b>									
3/8	16	2,6	43	1,33.10 <sup>-3</sup> (10 <sup>-3</sup> )	10,5 -	SCE210C033VM	MO	-	-
1/2	16	3,4	57	1,33.10 <sup>-3</sup> (10 <sup>-3</sup> )	10,5 -	SCE210C034VM	MO	-	-
3/4	19	4,7	79	1,33.10 <sup>-3</sup> (10 <sup>-3</sup> )	10,5 -	SCE210C035VM	MO	-	-
<b>NO - Normally open, high vacuum range to 10<sup>-6</sup> Torr, FPM seals</b>									
3/8	16	2,6	43	1,33.10 <sup>-6</sup> (10 <sup>-6</sup> )	10,5 -	SCE210C033VH	MO	-	-
1/2	16	3,4	57	1,33.10 <sup>-6</sup> (10 <sup>-6</sup> )	10,5 -	SCE210C034VH	MO	-	-
3/4	19	4,7	79	1,33.10 <sup>-6</sup> (10 <sup>-6</sup> )	10,5 -	SCE210C035VH	MO	-	-



### OPTIONS

- Waterproof enclosure with embedded screw terminal coil according to protection class IP67, CEE-10
- Explosionproof enclosures for use in zones 1/21-2/22, categories 2-3 to ATEX Directive 94/9/EC (see "Explosionproof solenoids" section)
- Electrical enclosures according to "NEMA" standards are available
- Compliance with "UL", "CSA" and other local approvals available on request
- Mounting brackets, suffix MB
- Other pipe connections are available on request
- Plug with visual indication and peak voltage suppression or with cable length of 2 m (see Solenoids, Coils & Accessories section)

### INSTALLATION

- The solenoid valves can be mounted in any position without affecting operation
- Pipe connection identifier is E = Rp (ISO 7/1)
- Installation/maintenance instructions are included with each valve

### SPARE PARTS KITS & ACCESSORIES

catalogue number	spare parts kit no.		mounting bracket no.
	~	=	
SCE210D095	<b>C302276</b>	-	<b>038713-000</b>
SCE210C033/C034	<b>C302334</b>	-	<b>038713-000</b>
SCE210C035	<b>C302335</b>	-	<b>038713-000</b>

<sup>(1)</sup> Standard suffixes are also applicable to kits.

### ORDERING EXAMPLES:

SC	E	210	D	095	230V / 50 Hz
SC	E	210	C	033	MO 115V / 50 Hz
SC	E	210	C	034	VM 24V / 50 Hz
SC	E	210	C	035	VH 230V / 50 Hz

prefix — pipe thread — basic number — voltage — suffix

### ORDERING EXAMPLES KITS:

C302276 <sup>(1)</sup>	
C302276	VM
C302276	VH

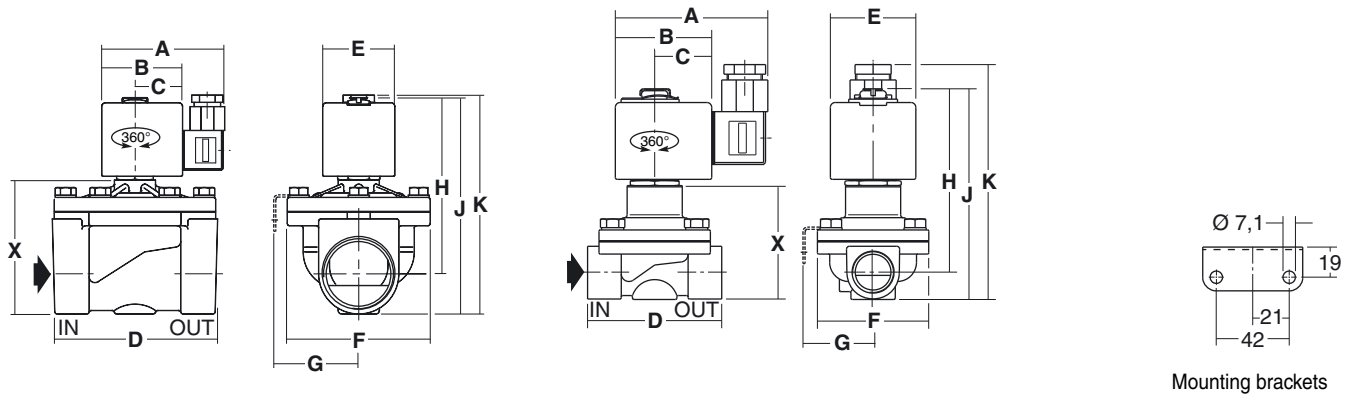
basic number — suffix

### DIMENSIONS (mm), WEIGHT (kg)

**TYPE 01**  
 Prefix "SC" Solenoid  
 Epoxy moulded  
 IEC 335 / ISO 4400  
 IP65

SCE210D095 (NC)

SCE210C033/C034/C035 (NO)



type	prefix option	catalogue number	A	B	C	D	E	F	G	H	J	K	X	weight <sup>(2)</sup>
01	SC	SCE210D095	80	50	30	73	45	58	41	89	103	121	54	1
		SCE210C033/C034	80	50	30	70	45	58	41	98	108	127	60	0,9
		SCE210C035	80	50	30	70	45	58	41	102	117	132	68	1

<sup>(2)</sup> including coil and connector.

All leaflets are available on: [www.asconumatics.eu](http://www.asconumatics.eu)