

FEATURES

- Two way shut-off valves for automatic control of air, inert gas, water, oil and other gases/liquids compatible with the seal materials used
- Heavy duty piston design for severe applications
- All products are covered by Pressure Equipment Directive 97/23/EC and are suitable for group 1 and 2 fluids
- The solenoid valves satisfy all relevant EC directives

GENERAL

Differential pressure See «SPECIFICATIONS» [1 bar = 100 kPa]
Maximum viscosity 65 cSt (mm²/s)
Response time 40 - 120 ms

| fluids (*) | temperature range (TS) | seal materials (*) |
|----------------------------|------------------------|-----------------------|
| air, inert gas, water, oil | - 20°C to + 90°C | NBR (nitrile) PTFE |

MATERIALS IN CONTACT WITH FLUID

(*) Ensure that the compatibility of the fluids in contact with the materials is verified

| | Brass body | Stainless steel body |
|----------------------------|-------------------------|----------------------|
| Body | Brass | AISI 304 SS |
| Core tube | Stainless steel | Stainless steel |
| Core and plugnut | Stainless steel | Stainless steel |
| Springs | Stainless steel | Stainless steel |
| Seat | Brass | Stainless steel |
| Seals and core disc | NBR | NBR |
| Piston | PPS / brass / st. steel | PPS or brass |
| Piston disc | NBR or PTFE | NBR |
| Piston rings | PTFE (carbon filled) | PTFE (carbon filled) |
| Shading coil | Copper | Silver |

ELECTRICAL CHARACTERISTICS

Coil insulation class F or H F
Connector Spade plug (cable Ø 6-10 mm) or cable leads, 0,35 m length (EF)
Connector specification ISO 4400 / EN 175301-803, form A
Electrical safety IEC 335
Electrical enclosure protection Moulded IP65 (EN 60529) or NEMA 3, 7, 9 (EF)
Standard voltages DC (=) : 24V - 48V
 AC (~) : 24V - 48V - 115V - 230V / 50 Hz
 (Other voltages and 60 Hz on request)

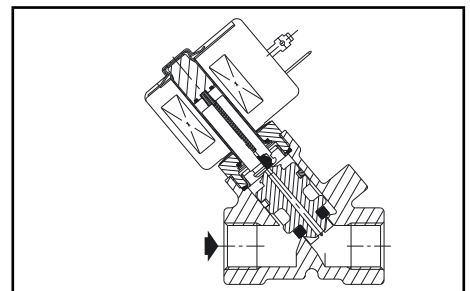
| prefix option | power ratings | | | | operator ambient temperature range (TS) (C°) | replacement coil | | type ⁽¹⁾ |
|---------------|---------------|-----------|------|------------|--|------------------|-------------|---------------------|
| | inrush ~ | holding ~ | | hot/cold = | | ~ | = | |
| | (VA) | (VA) | (W) | (W) | | 230 V/50 Hz | 24 V DC | |
| SC | 34 | 15,6 | 6 | - | -20 to + 75 | 400325-117 | - | 01 |
| | - | - | - | 9/11,2 | -20 to + 75 | - | 400425-142 | 02 |
| | 78 | 35 | 16,7 | - | -20 to + 50 | 400425-217 | - | 02 |
| | 110 | 33,6 | 15,4 | 12/16,8 | -20 to + 75 | 400525-117 | 400625-142 | 03 |
| | 240 | 43 | 20 | - | -20 to + 50 | 400525-217 | - | 03 |
| EF | - | - | - | 21/30,6 | -20 to + 25 | - | 074073-005D | 04 |

⁽¹⁾ Refer to the dimensional drawings on the following page.

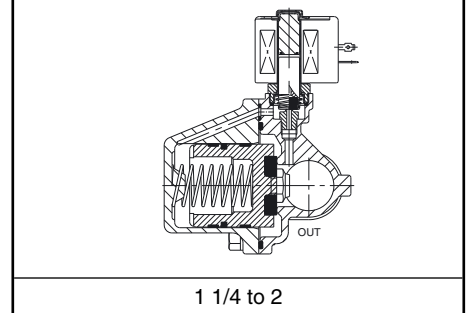
SPECIFICATIONS

| pipe size | orifice size | flow coefficient Kv | | operating pressure differential (bar) | | | | | | | power coil (W) | | catalogue number | | options | | | | | | |
|--|--------------|---------------------|------|---------------------------------------|-----------|-----------|---------|----|----|----|----------------|------|---------------------------|---|---------|-----------------|--------------------------|-----|------|----|------|
| | | | | min. | max. (PS) | | | | | | | | | | brass | stainless steel | maintained man. operator | FPM | EPDM | CR | PTFE |
| | | | | | air (*) | water (*) | oil (*) | ~ | = | ~ | | | | | | | | | | | |
| NC - Normally closed, PPS piston, NBR seals and discs | | | | | | | | | | | | | | | | | | | | | |
| Rp 3/8 | 9 | 1,3 | 21,7 | 0,35 | 9 | 3 | - | - | - | - | 6 | 11,2 | SCE210C073 | - | MO | V | E | J | - | | |
| NPT 3/8 | | | | 0,07 | - | - | 9 | 3 | 9 | 3 | - | - | - | - | - | SCB210A036 | MO | V | E | J | - |
| Rp 1/2 | 11 | 1,9 | 31,6 | 0,35 | 9 | 3 | - | - | - | - | 6 | 11,2 | SCE210A015 | - | MO | V | E | J | - | | |
| NPT 1/2 | | | | 0,07 | - | - | 9 | 3 | 9 | 3 | - | - | - | - | - | SCB210A037 | MO | V | E | J | - |
| NC - Normally closed, brass piston, NBR seals and PTFE disc | | | | | | | | | | | | | | | | | | | | | |
| Rp 3/4 | 19 | 5,2 | 86,7 | 0 | 24 | 14 | 14 | 12 | 14 | 12 | 15,4 | - | SCE210B026 | - | MO | V | E | J | T | | |
| | | | | | | | | | | | - | 30,6 | EFE210B026 ⁽²⁾ | - | MO | V | E | J | T | | |
| Rp 1 | 25 | 11,6 | 193 | 0,7 | 20 | 16 | 20 | 14 | 20 | 14 | 16,7 | 16,8 | SCE210B078 | - | MO | - | - | - | - | | |
| Rp 1 1/4 | 28 | 12,8 | 214 | 0,7 | 20 | 16 | 20 | 14 | 20 | 14 | 16,7 | 16,8 | SCE210B080 | - | MO | - | - | - | - | | |
| Rp 1 1/2 | 32 | 19,3 | 322 | 0,7 | 20 | 16 | 20 | 14 | 20 | 14 | 16,7 | 16,8 | SCE210B082 | - | MO | - | - | - | - | | |
| NC - Normally closed, brass piston, NBR seals and discs | | | | | | | | | | | | | | | | | | | | | |
| Rp 1 | 25 | 11,6 | 193 | 0 | 20 | - | 8 | - | 8 | - | 20 | - | SCE210B027 | - | MO | V | E | J | T | | |
| NC - Normally closed, stainless steel piston, NBR seals and discs | | | | | | | | | | | | | | | | | | | | | |
| Rp 2 | 44 | 37 | 617 | 0,35 | 9 | 3 | 9 | 3 | 6 | 3 | 9 | 15,3 | SCE210-100 | - | MO | V | E | J | - | | |

⁽²⁾ Valve to be mounted with solenoid vertical and upright for DC.



3/8 to 1



1 1/4 to 2

OPTIONS

- Valves can also be supplied with FPM (fluoroelastomer), EPDM (ethylene-propylene), CR (chloroprene) and PTFE seals and discs. Use the appropriate optional suffix letter for identification
- Waterproof enclosure with embedded screw terminal coil according to protection class IP67, CEE-10
- Explosionproof enclosures for use in zones 1/21-2/22, categories 2-3 to ATEX Directive 94/9/EC (see "Explosionproof solenoids" section)
- Electrical enclosures according to "NEMA" standards are available
- Compliance with "UL", "CSA" and other local approvals available on request
- Mounting brackets, suffix MB (Except for SCE210B078/B080/B082/B027/-100)
- Other pipe connections are available on request
- Plug with visual indication and peak voltage suppression or with cable length of 2 m (see Solenoids, Coils & Accessories section)

INSTALLATION

- The solenoid valves can be mounted in any position without affecting operation, unless indicated otherwise in the specifications table.
- Stainless steel valves are standard supplied with mounting brackets
- Pipe connection identifier is E = Rp (ISO 7/1) or B = NPT (ANSI 1.20.3)
- Installation/maintenance instructions are included with each valve

SPARE PARTS KIT & ACCESSORIES

| catalogue number | spare parts kit no. | | mounting bracket no. |
|------------------|---------------------|---------|----------------------|
| | ~ | = | |
| SCE210C073 | C302271 | C302371 | 093200-001 |
| SCB210A036 | C302327 | C302421 | 093200-001 |
| SCE210A015 | C302275 | C302374 | 100835-001 |
| SCB210A037 | C302326 | C302422 | 100835-001 |
| SCE210B026 | C302278 | - | 038713-000 |
| EFE210B026 | - | C302377 | 038713-000 |
| SCE210B078 | C302281 | C302380 | - |
| SCE210B080 | C302281 | C302380 | - |
| SCE210B082 | C302285 | C302384 | - |
| SCE210B027 | C302282 | - | - |
| SCE210-100 | C304355 | C304359 | - |

(1) Standard prefixes/suffixes are also applicable to kits.
- Not available

ORDERING EXAMPLES:

| | | | | | |
|----|---|-----|---|-----|-----------------|
| SC | E | 210 | A | 015 | 230V / 50 Hz |
| SC | E | 210 | B | 026 | MO 115V / 50 Hz |
| SC | B | 210 | A | 037 | V 24V / DC |
| SC | E | 210 | B | 027 | 230V / 50 Hz |

prefix pipe thread basic number voltage suffix

ORDERING EXAMPLES KITS:

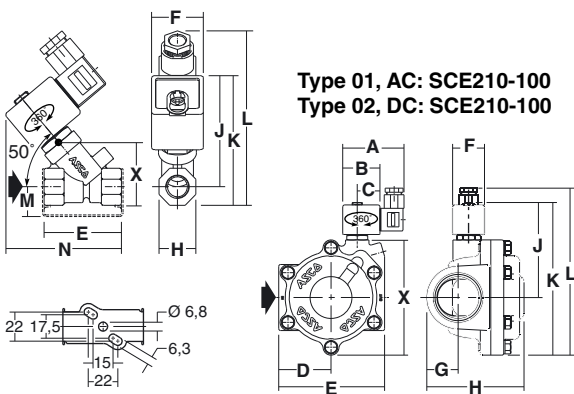
| | |
|------------------------|---|
| C302271 ⁽¹⁾ | |
| C302374 | V |
| C302278 | E |

basic number suffix

DIMENSIONS (mm), WEIGHT (kg)

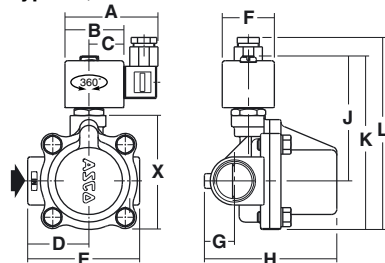
TYPE 01-02
Prefix "SC" Solenoid
Epoxy moulded
IEC 335 / ISO 4400
IP65

Type 01, AC: SCE210C073/A015 - SCB210A036/037
Type 02, DC: SCE210C073/A015 - SCB210A036/037



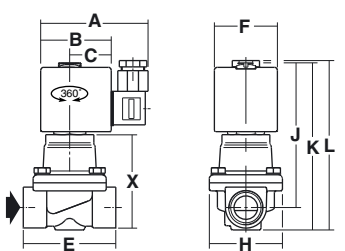
TYPE 02-03
Prefix "SC" Solenoid
Epoxy moulded
IEC 335 / ISO 4400
IP65

Type 02, AC: SCE210B078/B080/B082
Type 03, DC: SCE210B078/B080/B082



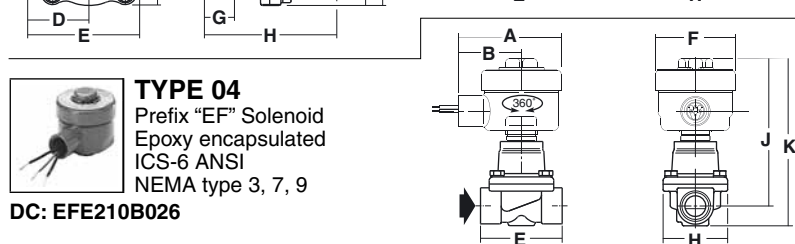
TYPE 03
Prefix "SC" Solenoid
Epoxy moulded
IEC 335 / ISO 4400
IP65

AC: SCE210B026/027



TYPE 04
Prefix "EF" Solenoid
Epoxy encapsulated
ICS-6 ANSI
NEMA type 3, 7, 9

DC: EFE210B026



| type | prefix option | catalogue number | A | B | C | D | E | F | G | H | J | K | L | M | N | X | weight ⁽²⁾ |
|------|---------------|------------------|----|----|----|----|-----|----|----|-----|-----|-----|-----|----|----|-----|-----------------------|
| 01 | SC | SCE210C073/A036 | - | - | - | - | 48 | 39 | - | 22 | 74 | 85 | 124 | 22 | 72 | 41 | 0,6 |
| | | SCE210A015/A037 | - | - | - | - | 58 | 39 | - | 28 | 82 | 95 | 128 | 22 | 89 | 47 | 0,6 |
| | | SCE210-100 | 75 | 45 | 27 | 64 | 129 | 39 | 39 | 120 | 116 | 186 | 203 | - | - | 149 | 5,5 |
| 02 | SC | SCE210C073/A036 | - | - | - | - | 48 | 45 | - | 22 | 80 | 91 | 130 | 22 | 80 | 41 | 0,6 |
| | | SCE210A015/A037 | - | - | - | - | 58 | 45 | - | 28 | 82 | 95 | 128 | 22 | 93 | 47 | 0,6 |
| | | SCE210-100 | 80 | 50 | 30 | 64 | 129 | 45 | 39 | 120 | 120 | 190 | 207 | - | - | 149 | 5,5 |
| | | SCE210B078 | 80 | 50 | 30 | 55 | 95 | 45 | 45 | 108 | 55 | 154 | 149 | - | - | 95 | 2,8 |
| | | SCE210B080 | 80 | 50 | 30 | 52 | 95 | 45 | 30 | 119 | 108 | 149 | 166 | - | - | 117 | 3,0 |
| 03 | SC | SCE210B082 | 80 | 50 | 30 | 52 | 111 | 45 | 33 | 148 | 112 | 162 | 179 | - | - | 108 | 4,2 |
| | | SCE210B078 | 86 | 56 | 33 | 55 | 95 | 50 | 50 | 108 | 55 | 154 | 152 | - | - | 95 | 2,8 |
| | | SCE210B080 | 86 | 56 | 33 | 52 | 95 | 50 | 30 | 119 | 114 | 156 | 156 | - | - | 97 | 3,0 |
| | | SCE210B082 | 86 | 56 | 33 | 52 | 111 | 50 | 33 | 148 | 118 | 165 | 165 | - | - | 110 | 4,2 |
| | | SCE210B026 | 86 | 56 | 33 | - | 74 | 50 | - | 59 | 117 | 133 | 135 | - | - | 76 | 1,3 |
| 04 | EF | SCE210B027 | 86 | 56 | 33 | - | 100 | 50 | - | 33 | 50 | 83 | 143 | - | - | 84 | 2,5 |
| | | EFE210B026 | 83 | 51 | - | - | 74 | 64 | - | 59 | 117 | 133 | 135 | - | - | - | 1,3 |

(2) Incl. coil(s) and connector(s)

All leaflets are available on: www.asconumatics.eu