

FEATURES

- For gas pilot and gas burner control on industrial atmospheric and forced draught burners, also used in kilns and furnaces in process industries
- All valves have been type tested to EN 161 and satisfy the European gas appliance directive (90/396/EC) as amended by 93/68/EEC
Certificate of conformity British Gas:
 - No. BG/EC-87/95/396 (For EGSC E040B001-B002-B003)
 - No. BG/EC-87/96/14 (For EGSC E040A024)
- All valves are for class A group 2 service and cover gas family 1 and 2
- All valves are suitable to withstand 150 mbar back pressure
- Aluminium bodied, low pressure valves designed to provide maximum flow
- Direct lift valves with resilient soft seating for tight shut-off

GENERAL

Differential pressure See «SPECIFICATIONS» [1 bar = 100 kPa]
Response time 1 s max.

| fluids (*) | temperature range (TS) | seal materials (*) |
|-----------------|------------------------|--------------------|
| combustible gas | 0°C to + 60°C | NBR (nitrile) |

MATERIALS IN CONTACT WITH FLUID

(*) Ensure that the compatibility of the fluids in contact with the materials is verified

| | |
|-------------------------|-----------------|
| Body | Aluminium |
| Core tube | Stainless steel |
| Core and plugnut | Stainless steel |
| Springs | Stainless steel |
| Seat | Aluminium |
| Seal | NBR |
| Disc | NBR |
| Riderring | PTFE |
| Core guide | POM |
| Shading coil | Copper |

ELECTRICAL CHARACTERISTICS

| | |
|--|--|
| Coil insulation class | F |
| Connector | Spade plug (cable Ø 6-10 mm) |
| Connector specification | ISO 4400 / EN 175301-803, form A |
| Electrical safety | IEC 335 |
| Electrical enclosure protection | Moulded IP65 (EN 60529) |
| Standard voltages | AC (-) : 24V - 48V - 115V - 230V / 50 Hz |

(Other voltages on request)

| prefix option | power ratings | | | | operator ambient temperature range (TS) (C°) | replacement coil | | type ⁽¹⁾ |
|---------------|---------------|-----------|------|------------|--|------------------|---|---------------------|
| | inrush ~ | holding ~ | | hot/cold = | | ~ | = | |
| | (VA) | (VA) | (W) | (W) | | 230 V/50 Hz | | |
| EGSC | 85 | 35 | 16,7 | - | 0 to + 60 | 400425-217 | - | 01 |
| | 127 | 46 | 20 | - | 0 to + 60 | 400525-117 | - | 02 |

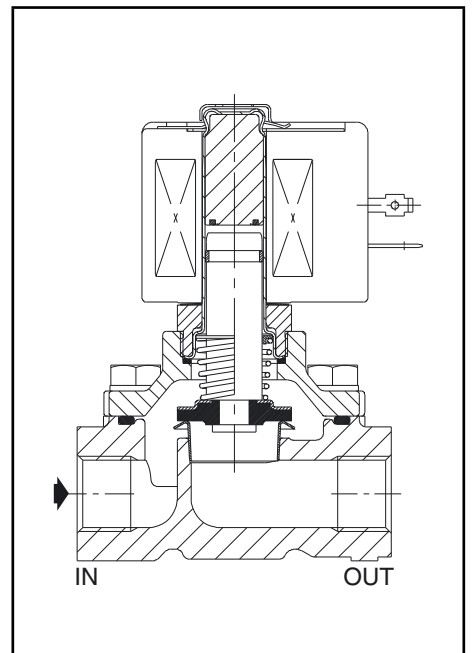
⁽¹⁾ Refer to the dimensional drawings on the following page.

SPECIFICATIONS

| pipe size | orifice size | flow ⁽²⁾ | | operating pressure differential (bar) | | | power coil (W) | | catalogue number |
|-----------------------------|--------------|---------------------|---------|---------------------------------------|-----------|---|----------------|---|-----------------------------|
| | | | | min. | max. (PS) | | ~ | = | |
| | | | | | gas (*) | | | | |
| Rp | (mm) | (m³/h) | (l/min) | | ~ | = | ~ | = | ~ |
| NC - Normally closed | | | | | | | | | |
| 3/8 | 19 | 4,9 | 81,7 | 0 | 0,086 | - | 16,7 | - | EGSCE040B001 |
| 1/2 | 19 | 7 | 116,7 | 0 | 0,086 | - | 16,7 | - | EGSCE040B002 |
| 3/4 | 19 | 10,3 | 172 | 0 | 0,086 | - | 16,7 | - | EGSCE040B003 |
| 1 | 23,8 | 14,84 | 247 | 0 | 0,086 | - | 20 | - | EGSCE040A024 ⁽³⁾ |

⁽²⁾ For 2,5 mbar pressure drop air 1,0 s.g. at 1,013 mbar and 15°C.

⁽³⁾ Valves to be mounted vertical and upright.



OPTIONS

- Mounting brackets, suffix MB (EGSCE040B001/002/B003 only)
- Optional features to EGSCE040B001/002/B003:
 - Strainer, used suffix D01
 - 1/8" plugged pressure tappings in the inlet and outlet ports, use suffix D02
 - Strainer and 1/8 plugged pressure tappings in the inlet and outlet ports, used suffix D03
 - Pressure test nipples for hose connection in the inlet and outlet ports Ø 8 mm, use suffix D04
 - Strainer and Pressure test nipples for hose connection in the inlet and outlet ports Ø 8 mm, use suffix D05
- Plug with visual indication and peak voltage suppression or with cable length of 2 m (see Solenoids, Coils & Accessories section)

INSTALLATION

- The B001/B002/B003 solenoid valves can be mounted in any position without affecting operation. The A024 solenoid valves must be mounted vertical and upright
- Standard integrated strainers at the inlet port for valve type A024. Strainers are optional for types B001, B002 and B003
- Pipe connection identifier is E = Rp (ISO 7/1)
- Installation/maintenance instructions are included with each valve

SPARE PARTS KIT

| catalogue number | spare parts kit no. | |
|------------------------|---------------------|---|
| | ~ | = |
| EGSCE040B001/B002/B003 | K312984 | - |
| EGSCE040A024 | K320011 | - |

- Not available.

ORDERING EXAMPLES:

| | | | | | |
|------|---|-----|---|-----|--------------|
| EGSC | E | 040 | B | 001 | 230V / 50 Hz |
| EGSC | E | 040 | A | 024 | 115V / 50 Hz |

prefix — pipe thread — basic number — voltage — suffix

ORDERING EXAMPLES KITS:

| |
|---------|
| K312984 |
|---------|

basic number —

DIMENSIONS (mm), WEIGHT (kg)



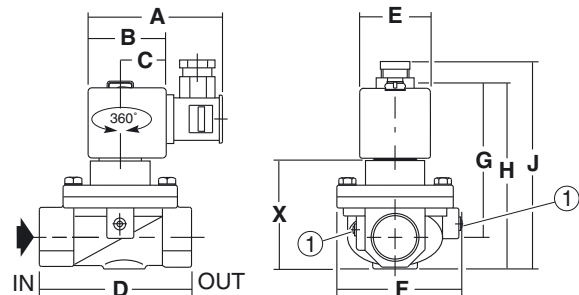
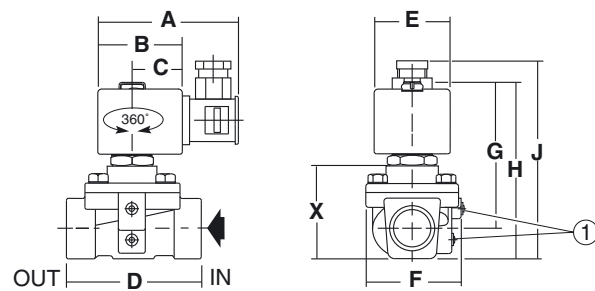
TYPE 01
Prefix "EGSC" Solenoid
Epoxy moulded
IEC 335 / ISO 4400
IP65

EGSCE040B001/B002/B003



TYPE 02
Prefix "EGSC" Solenoid
Epoxy moulded
IEC 335 / ISO 4400
IP65

EGSCE040A024



| type | prefix option | catalogue number | A | B | C | D | E | F | G | H | J | X | weight ⁽¹⁾ |
|------|---------------|-------------------|----|----|----|-----|----|----|-----|-----|-----|----|-----------------------|
| 01 | EGSC | EGSCE040B001/B002 | 77 | 50 | 30 | 70 | 45 | 59 | 83 | 98 | 114 | 47 | 0,9 |
| | | EGSCE040B003 | 77 | 50 | 30 | 83 | 45 | 59 | 88 | 109 | 125 | 58 | 0,7 |
| 02 | EGSC | EGSCE040A024 | 86 | 56 | 33 | 108 | 50 | 89 | 112 | 130 | 135 | 55 | 1,4 |

⁽¹⁾ Inlet and outlet ports pressure tapping Rp 1/8 (standard for type A024 and optional for types B001, B002 and B003)

⁽¹⁾ include coil and connector or metal housing.

All leaflets are available on: www.asconumatics.eu

V902-17-2