

FEATURES

- For gas pilot and gas burner control on industrial atmospheric and forced draught burners, also used in kilns and furnaces in process industries
- All valves have been type tested to EN 161 and satisfy the European gas appliance directive (90/396/EC) as amended by 93/68/EEC Certificate of conformity British Gas: No. BG/EC-87/95/166/M1
- All valves are for class A group 2 service and cover gas family 1 and 2
- All valves are suitable to withstand 150 mbar back pressure
- Brass bodied, low pressure valves designed to provide maximum flow
- Direct lift valves with resilient soft seating for tight shut-off
- The solenoid valves do not require a minimum operating pressure

GENERAL

Differential pressure See «SPECIFICATIONS» [1 bar = 100 kPa]
Response time 1 s max.

fluids (*)	temperature range (TS)	seal materials (*)
combustible gas	0°C to + 60°C	NBR (nitrile)

MATERIALS IN CONTACT WITH FLUID

(*) Ensure that the compatibility of the fluids in contact with the materials is verified

Body	Brass
Core tube	Stainless steel
Core and plugnut	Stainless steel
Spring	Stainless steel
Seat	Brass
Seals	NBR
Disc	NBR
Shading coil	Copper

ELECTRICAL CHARACTERISTICS

Coil insulation class F
Connector Spade plug (cable Ø 6-10 mm)
Connector specification ISO 4400 / EN 175301-803, form A
Electrical safety IEC 335
Electrical enclosure protection Moulded IP65 (EN 60529)
Standard voltages AC (-) : 24V - 48V - 115V - 230V / 50 Hz
(Other voltages and 60 Hz on request)

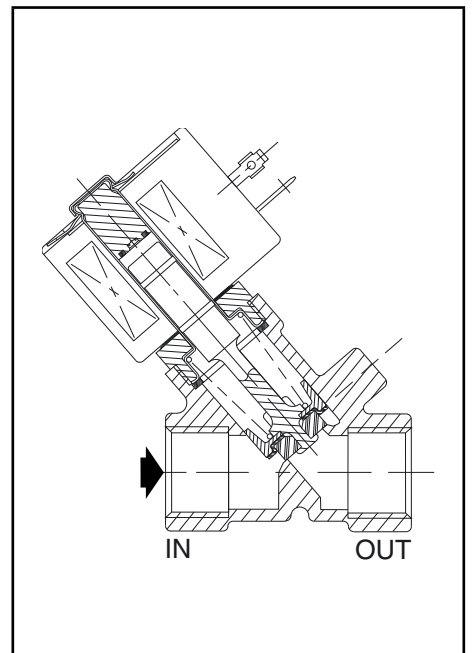
prefix option	power ratings				operator ambient temperature range (TS) (C°)	replacement coil		type ⁽¹⁾
	inrush ~	holding ~	hot/cold =	~		=		
	(VA)	(VA)	(W)					
EGSC	40	17	6	-	0 to + 60	400325-117	-	01

⁽¹⁾ Refer to the dimensional drawings on the following page.

SPECIFICATIONS

pipe size	orifice size	flow ⁽²⁾		operating pressure differential (bar)			power coil (W)		catalogue number
				min.	max. (PS)				
					gas (*)				
Rp	(mm)	(m³/h)	(l/min)	~	=	~	=	~	
NC - Normally closed									
3/8	9,5	2,19	36,5	0	0,48	-	6	-	EGSCE030B010
1/2	11	3,41	56,8	0	0,14	-	6	-	EGSCE030A016

⁽²⁾ For 2,5 mbar pressure drop air 1,0 s.g. at 1,013 mbar and 15°C.



OPTIONS

- Mounting brackets, suffix MB
- Integrated strainer at the inlet port, used suffix D30
- Plug with visual indication and peak voltage suppression or with cable length of 2 m (see Solenoids, Coils & Accessories section)

INSTALLATION

- The solenoid valves can be mounted in any position without affecting operation
- Pipe connection identifier is E = Rp (ISO 7/1)
- Installation/maintenance instructions are included with each valve

SPARE PARTS KIT

catalogue number	spare parts kit no.	
	~	=
EGSCE030B010	K312981	-
EGSCE030A016	K312980	-

- Not available.

ORDERING EXAMPLES:

EGSC	E	030	B	010	230V / 50 Hz
EG	E	030	A	016	115V / 50 Hz

prefix — EGSC, EG
 pipe thread — E
 basic number — 030 B 010, 030 A 016
 voltage — 230V / 50 Hz, 115V / 50 Hz
 suffix — 010, 016

ORDERING EXAMPLES KITS:

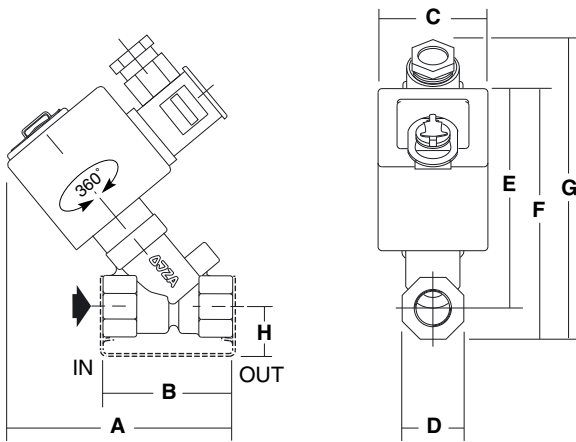
basic number	K312981
--------------	---------

DIMENSIONS (mm), WEIGHT (kg)

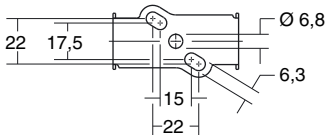


TYPE 01

Prefix "EGSC" Solenoid
Epoxy moulded
IEC 335 / ISO 4400
IP65



bottom view
mounting bracket



type	prefix option	catalogue number	A	B	C	D	E	F	G	H	weight ⁽¹⁾
01	EGSC	EGSCE030B010	75	48	39	22	77	88	122	20	0,5
		EGSCE030A016	87	58	39	28	82	96	130	22	0,5

⁽¹⁾ including coil and connector.

All leaflets are available on: www.asconumatics.eu