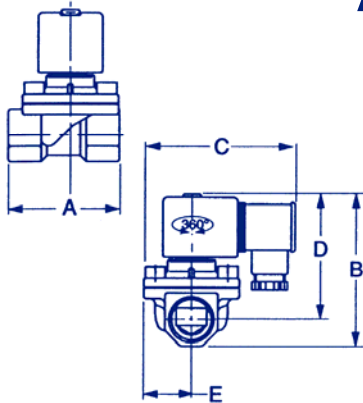


ASCO JOUCOMATIC NUMATICS



210
WRAS APPROVED SERIES

**PILOT OPERATED
WRAS APPROVED
SOLENOID VALVES**



Part No. 210 WRAS APPROVED SERIES 2/2 NORMALLY, BRASS BODY

The robustly manufactured Asco 210 WRAS approved series of solenoid valves are constructed with a hung diaphragm meaning that a minimum operating pressure is not required to operate.

All valves have been tested by the WRAS (Water Research Advisory Scheme) for compliance with water by-laws and regulations.

When ordering, please indicate the voltage and frequency required to operate the coil.

Features & Benefits

- WRAS Approved.
- Anti-water hammer device.
- Hung diaphragm construction.
- No minimum operating pressure.
- Robustly constructed.
- Long service life.
- Suitable for outdoor applications.
- Wide range of standard voltages.
- Spare part kits & coils available.

Pressure & Temperature

Pressure Range:-

0 to 9 bar.

Fluid temperature:-

0°C to 39°C.

Ambient temperature:-

0°C to 75°C.

MATERIALS

Body	Brass
Seals	EPDM

BSP	ORIFICE SIZE	BODY MATERIAL	MIN	OPERATING PRESSURES (Bar)						DIMENSIONS					CATALOGUE NUMBER
				MAX A/C~	A/R =D/C	MAX A/C~	WATER =D/C	MAX A/C~	OIL =D/C	A	B	C	D	E	
2/2 NORMALLY CLOSED															
1/2	16	Brass	0	-	-	9	-	-	-	70	97	89	80	29	SCE210C094BW
3/4	19	Brass	0	-	-	9	-	-	-	73	103	89	89	29	SCE210C095BW

STANDARD VOLTAGES

A/C	24V/50Hz	48V/50Hz	115V/50Hz	230V/50Hz
D/C	24V	48V		

Other Voltages & Frequencies Available On Request